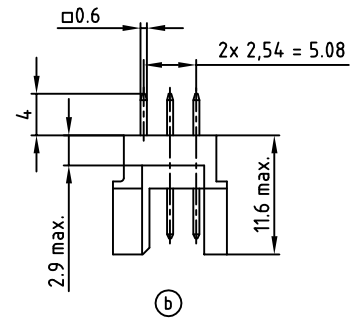
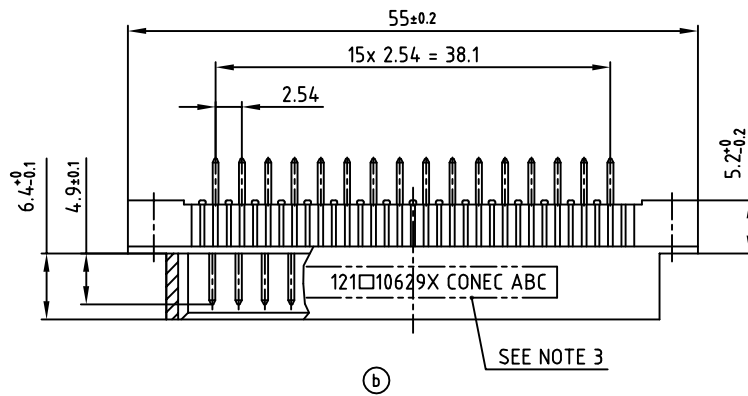
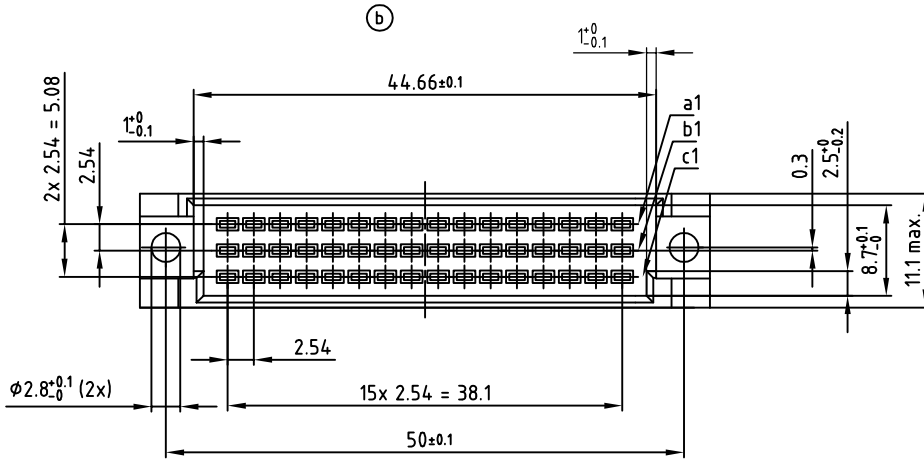


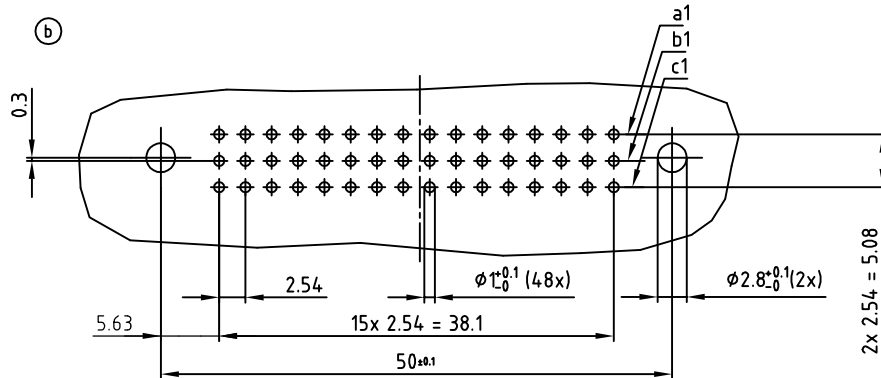
used for: DIN EN 60603-2 TYPE "R/2"



NOTES:

1. INSULATOR: PBT GF UL 94 V-0, GREY
2. CONTACTS: COPPER ALLOY; PLATING (SEE PART NO.):
 - ⓑ □ PLEASE ADD A for GOLD over NICKEL; 50 MATING CYCLES
 - PLEASE ADD B for GOLD over NICKEL; 400 MATING CYCLES
 - PLEASE ADD C for GOLD over NICKEL; 500 MATING CYCLES
3. CONNECTOR IS PART MARKED: 121□10629X CONEC ABC

P.C.B. HOLE DRILLINGS



THIS DRAWING MAY NOT BE COPIED OR REPRODUCED IN ANY WAY, AND MAY NOT BE PASSED ON TO A THIRD PARTY, WITHOUT WRITTEN PERMISSION. OWNERSHIP AND COPYRIGHT OF CONEC Gmbh DO NOT ALTER CAD DRAWING BY HAND

rev.	description	date	name
6 x b	Ä5098	18.02.2014	K.H.
a	Original		

tolerance		dim. in mm	
1995	date	name	
drawn	18.12.	Barcinski	
appd.	18.12.	Mickenbecker	
norm	DIN EN 60603-2		
d-old			

scale:	material:	SEE NOTES
title:	MALE CONNECTOR TYPE "R/2" MINI 48pos. SOLDER PIN	
dwg no:	12K1IC1A	DIN-A 3
part no:	ⓑ 121□10629X	sh: 1/1

Directive 2002/95/EC RoHS compliant



DIN-A
3
sh: 1/1

(see note 3)