

THIS DRAWING IS UNPUBLISHED. RELEASED FOR PUBLICATION

© COPYRIGHT BY

REVISIONS

P	F	ZONE	LTR	DESCRIPTION	DATE	APPROVED
		G1		REVISED PER ECO-11-005294	09APR11	HMR

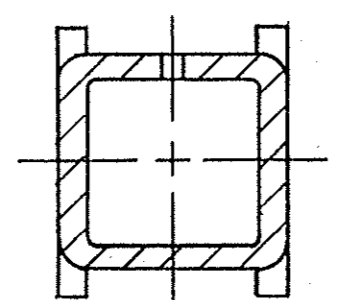
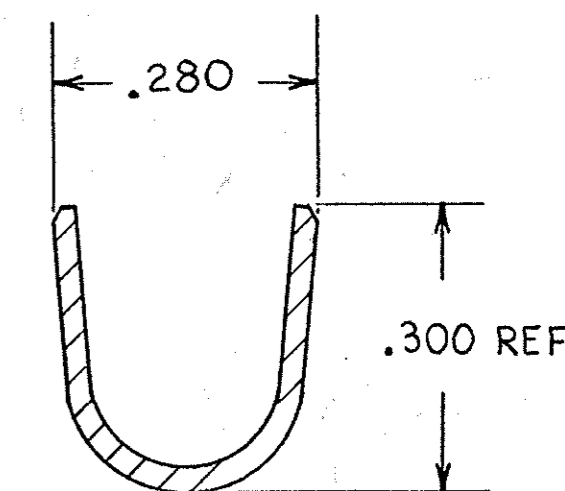
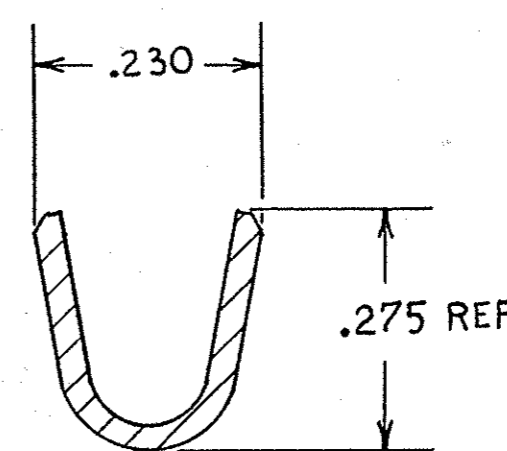
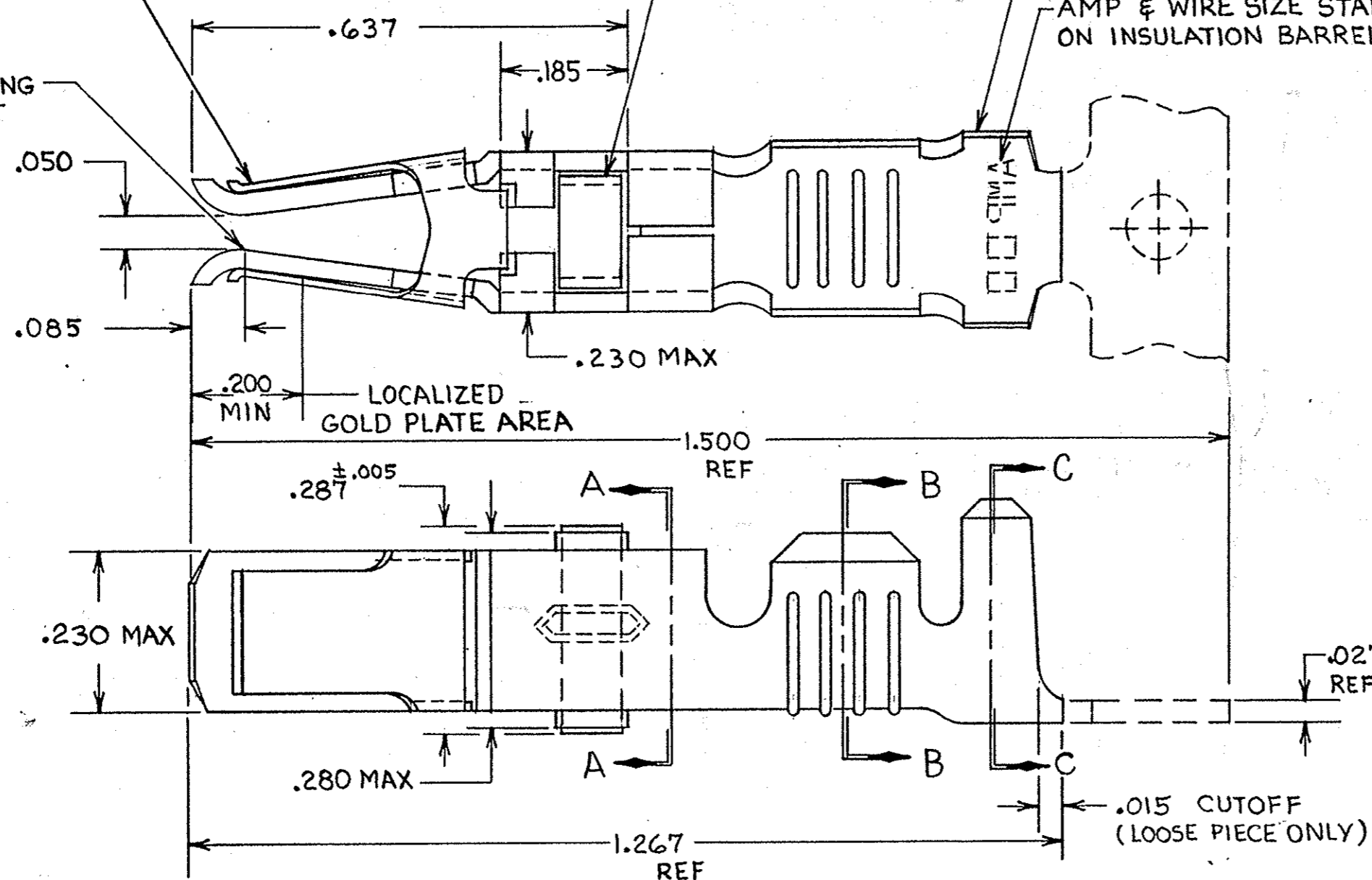
ASSIST SPRING  
MATL: STAINLESS STEEL  
PER QQ-S-766

TERMINAL LATCH  
MATL: NYLON  
COLOR: (SEE TABLE)

CONTACT BODY  
MATL: COPPER PER QQ-C-576  
FINISH: (SEE TABLE)

AMP & WIRE SIZE STAMPED  
ON INSULATION BARREL

POINT OF PLATING  
MEASUREMENT



SECTION A-A

- 1 REELED FOR USE WITH STANDARD APPLICATORS.
- 2 REELED FOR USE WITH HEAVY DUTY MINI-APPLICATORS.
- 3 PLATED WITH .000100 MIN SILVER PER QQ-S-365.
- 4 PLATED WITH .000015 MIN GOLD PER MIL-G-45204 IN THE LOCALIZED GOLD PLATE AREA, GOLD FLASH ON THE REMAINDER, OVER .000030 MIN NICKEL PER QQ-N-290.
- 5 PLATED WITH .000030 MIN GOLD PER MIL-G-45204 IN THE LOCALIZED GOLD PLATE AREA, GOLD FLASH ON THE REMAINDER, OVER .000030 MIN NICKEL PER QQ-N-290.
- 6 PLATED WITH .000050 MIN 93-7% TIN-LEAD ALLOY OVER .000030 MIN NICKEL PER QQ-N-290.
- 7. WIRE RANGE = 10 AWG.
- 8. INSULATION RANGE = .190 - .220 DIA.

9 PLATED TIN (NO LEAD) .000050 MIN. THK PER ASTM-B-545  
OVER NICKEL .000030 MIN. THK PER QQ-N-290.

BLACK	9	2-66741-1	2-66741-0	2
BLACK	9	2-66741-1	1-66741-9	1
BLACK	6	66741-8	1-66741-2	2
BLACK	5	66741-6	1-66741-1	2
BLACK	4	<del>66741-5</del>	1-66741-0	2
NATURAL	3	66741-2	66741-9	2
BLACK	6	66741-8	66741-7	2
BLACK	5	66741-6	66741-5	2
BLACK	4	<del>66741-5</del>	66741-3	2
NATURAL	3	66741-2	66741-1	2
TERMINAL LATCH COLOR	FINISH	LOOSE PIECE PART NO.	STRIP PART NO.	

UNLESS OTHERWISE SPECIFIED DIMENSIONS ARE IN INCHES. TOLERANCES ON: DECIMALS ±.010 ANGLES ±.010	CONTRACT NO	TE Connectivity <b>FEMALE TYPE XII CONTACT ASSEMBLY, WITH ASSIST SPRING</b>	
	DR <i>Rick Bohlen</i> 9-25-85		
	MATERIAL	CHK <i>B.P. Balach</i> 10-15-85	NAME
	SEE CALLOUT	APPD <i>B.P. Balach</i> 10-15-85	APPD <i>ACMS E Smith</i> 10-16-85
FINISH	SEE DASH NO	DSGN APPD	OTHER APPD
SIZE <b>C</b>		FSCM NO <b>00779</b>	DRAWING NO <b>66741</b>
SCALE <i>NTS</i>		SHEET	