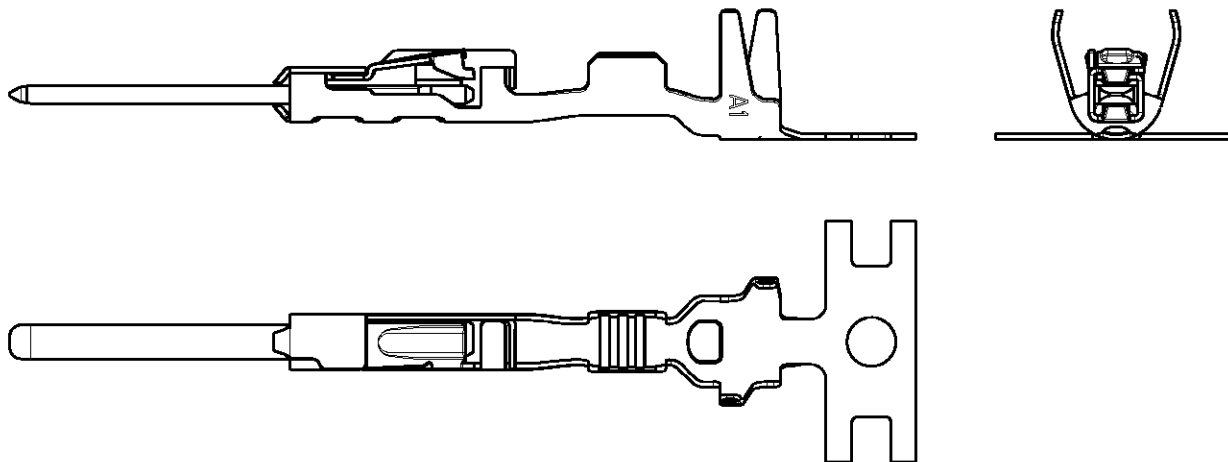


LOC	DIST	REVISIONS				
P	LTR	DESCRIPTION	DATE	DWN	APVD	
A1	-					
	A1	NEW DRAWING	27MAR07	R.M.	-	


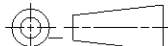


REFER TO PRODUCT GROUP DRAWING 1418754
 FOR LATEST INFORMATION ON THE PART

Für aktuelle Information zum Teil wird auf die
 Produkt - Gruppenzeichnung 1418754 hingewiesen

THIS DRAWING IS UNPUBLISHED. 2001

© COPYRIGHT 2001 BY TYCO ELECTRONICS CORPORATION. ALL RIGHTS RESERVED.

DIMENSIONS: mm	DWN	R. Liebing	27MAR07	MATERIAL	-	FINISH	-
	CHK	R. Meier	27MAR07	 tyco Electronics AMP GmbH D - 64625 Bensheim			
TOLERANCES UNLESS OTHERWISE SPECIFIED:	APVD	-					
0 PLC ±	PRODUCT SPEC	-		NAME TAB CONTACT 1.2MM - SWS Flachstecker 1.2mm - EDS			
1 PLC ±	APPLICATION SPEC	-					
2 PLC ±	WEIGHT	-		SIZE	A 4	CAGE CODE	00779
3 PLC ±				DRAWING NO	C=1718760		RESTRICTED TO
4 PLC ±				CUSTOMER DRAWING			
ANGLES ±				SCALE	4:1	SHEET	1 OF 1
				REV A1			