

## LUMOTAST 25 - Keylock switch

**1.15.156.001/0000**

Included: 2 keys.



### General information

Color of lens	black opaque
Form of collar	square

### Dimensions

Length of collar	25 mm
Width of collar	25 mm
Overall height	32.3 mm
Mounting depth with connector	30.7 mm
Mounting depth with plug-in socket	33.4 mm
Mounting hole	16.2 mm

### Mechanical design

Mounting	ring nut
Terminals	pin connector 4-pol./ plug-in socket
Contact system	snap-action contact
Contact function	latching
Contact arrangement	1 NO
Contact materials	Au
Illumination	no
Lamp socket	no
Lock	cylinder lock
Wafers	8 pins
Lock type	5201
Number of locking positions	10,000
Main key	yes
Symmetric key	yes
Key removal position	0

### Mechanical characteristics

Operating force max.	1.5 N
Rotating angle	90°

### Electrical characteristics

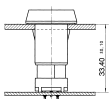
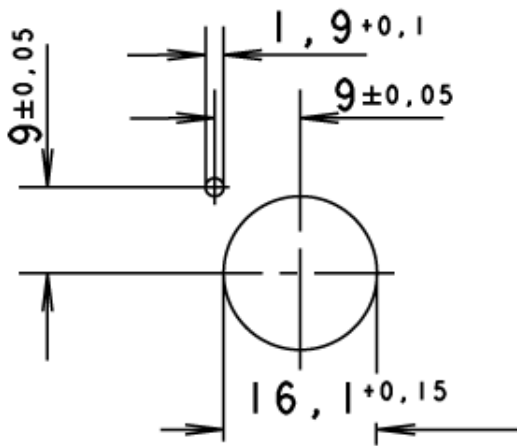
Rated voltage AC/DC max.	35 V
Rated voltage AC/DC min.	0.02 V
Rated current AC/DC max.	100 mA
Rated current AC/DC min.	0.01 mA
Contact resistance acc. to life max.	100 mΩ

Bouncing time max.	5 ms
--------------------	------

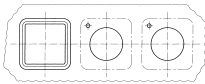
### Other specifications

Operating life (operations)	50,000 cycle
Degree of protection from front side	IP65 (DIN EN 60529)
Operation temperature min.	-25 °C
Ambient temp. operating max.	+70 °C
Storage temperature min.	-40 °C
Storage temperature max.	+80 °C
Environmental resistance	acc. to IEC 60068-2-14, -30, -33 and -78
Weight	20 g
ROHS compliant	yes
REACH compliant	yes

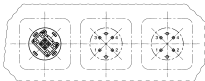
### Panel cut-out



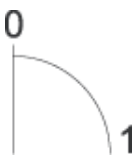
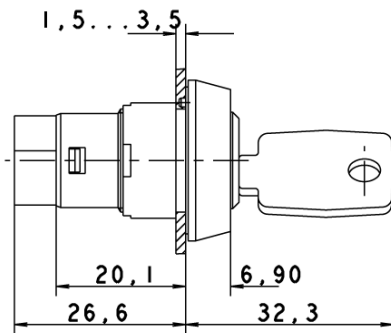
Draufsicht Frontplatte  
W21



Draufsicht Leiterplatte  
W21



1+4 Anschluss Taster  
2+3 Anschluss Leuchte



with socket connector

