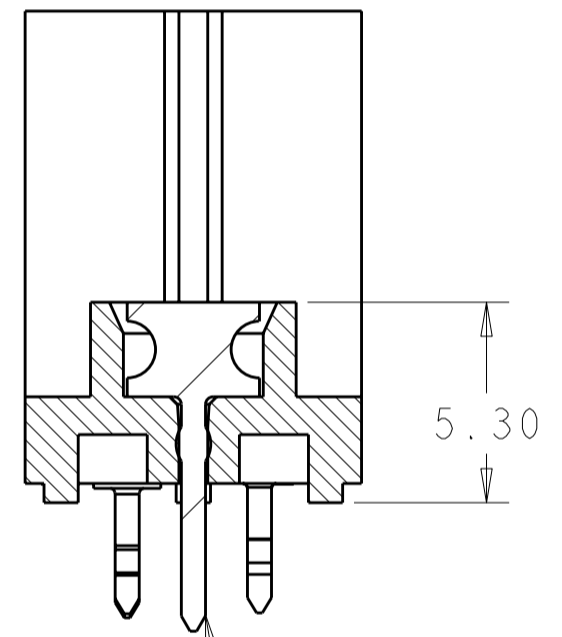
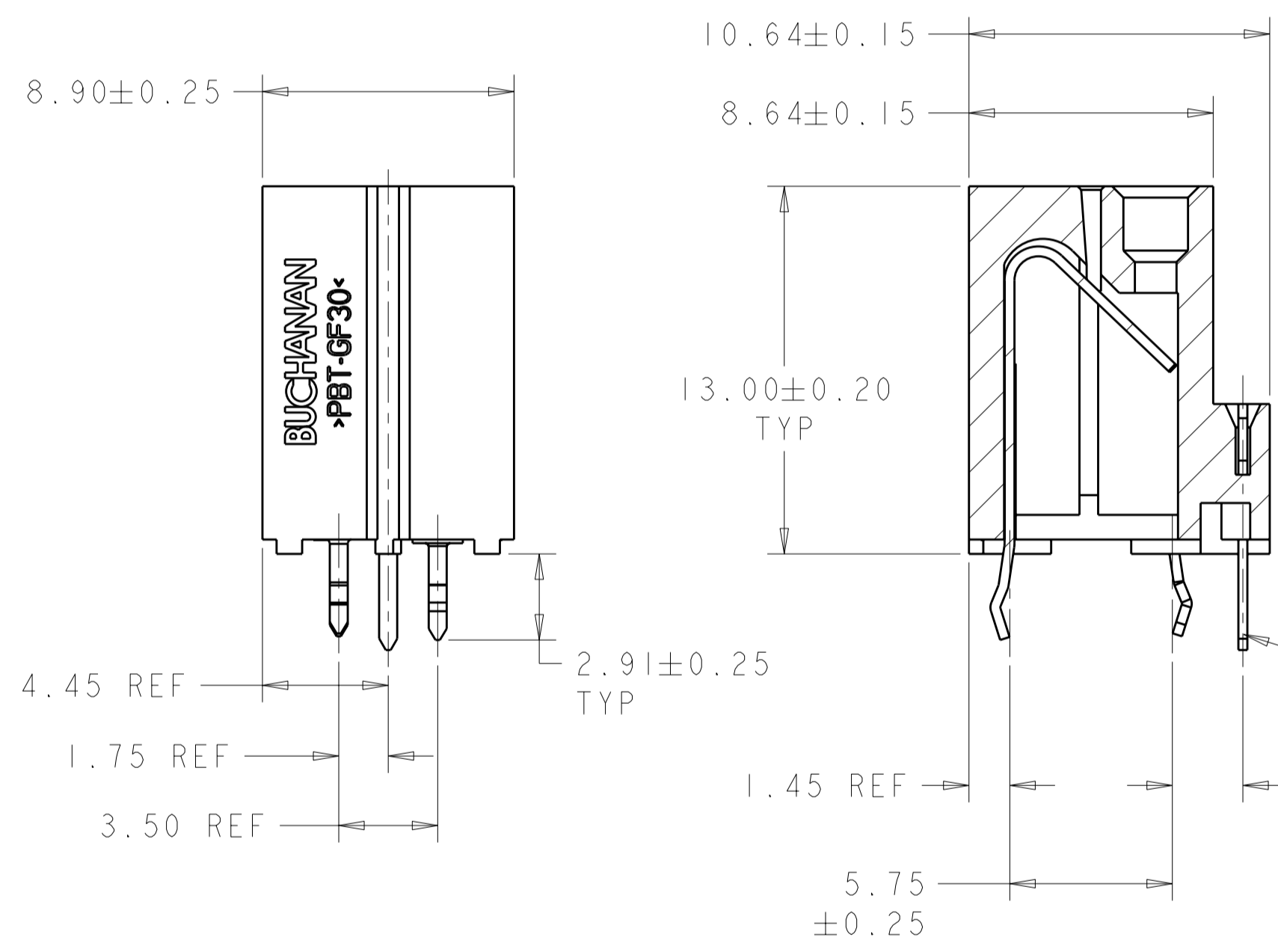
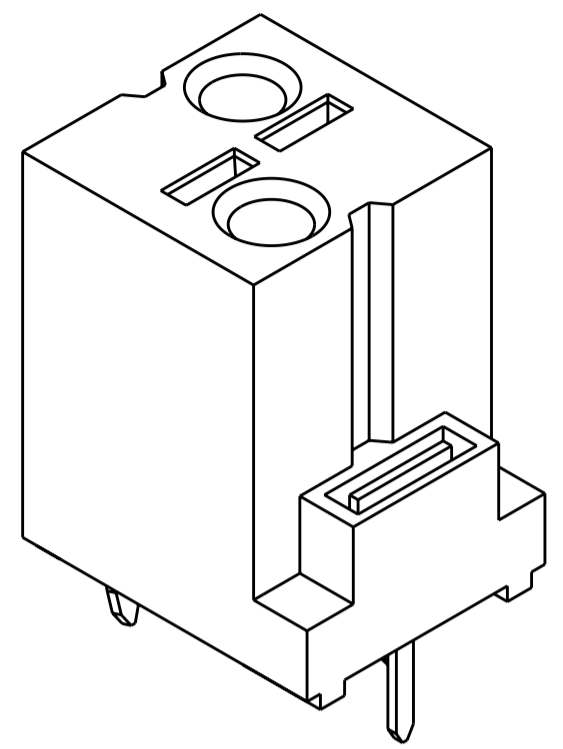
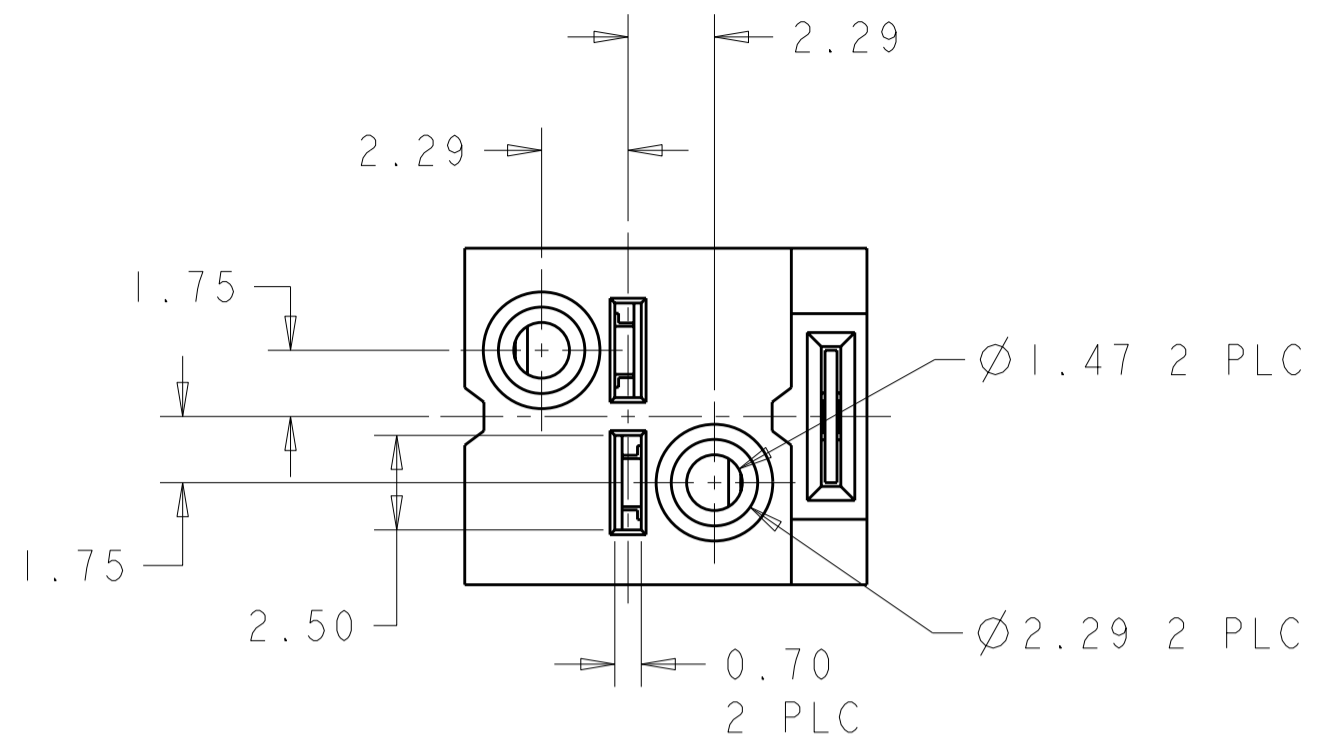
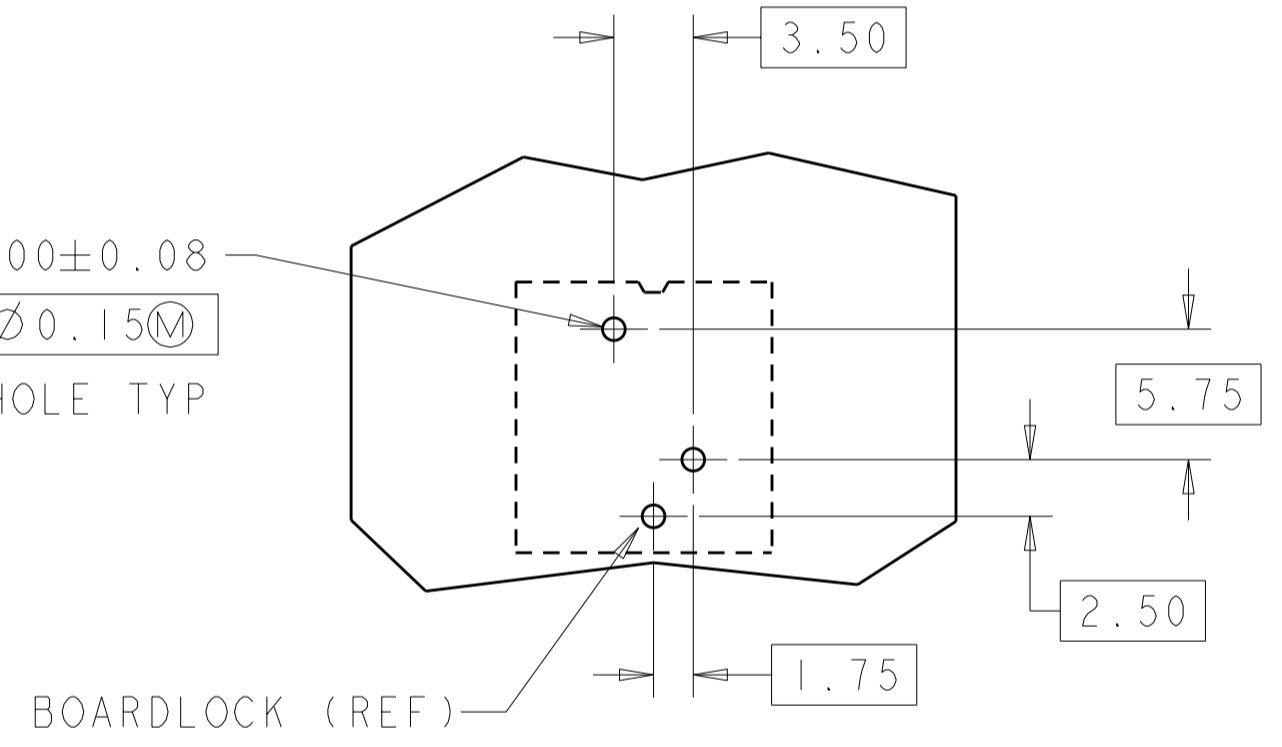


THIS DRAWING IS UNPUBLISHED. RELEASED FOR PUBLICATION 20
 © COPYRIGHT 20 BY - ALL RIGHTS RESERVED.

LOC	DIST	REVISIONS					
FT	0	P	LTR	DESCRIPTION	DATE	DWN	APVD
		A4		REVISED PER ECR-10-013378	01JUL2010	HMR	DD
		A5		REVISED PER ECR-12-008903	16MAY2012	RS	DD



Ø1.00±0.08
 Ø0.15(M)
 THRU HOLE TYP



SCALE 3:1
 PCB LAYOUT
 VIEWED FROM CONNECTOR MOUNTING SIDE

- 1 MATERIAL:
 HOUSING: PTB, UL94-V0, COLOR BLACK.
 CONTACTS: PHOSPHOR BRONZE.
 BOARDLOCK: PHOSPHOR BRONZE.
- 2 PLATING:
 CONTACTS & BOARDLOCKS: PRE TIN, 2.5µm MIN OVER 0.76µm MIN NICKEL
 (CONTACT AND BOARDLOCK EDGES WILL BE UNPLATED)
- 3. WIRE SIZE: 16 TO 18AWG SOLID AND 18AWG
 BONDED PER ASTM B470, TYPE I.
 2.19mm MAX INSULATION DIAMETER.
 STRIP LENGTH = 9.53±1.00.

TAPE AND REEL	1811957-3
TUBE	1811957-2
TRAY	1811957-1
PACKAGING	PART NO

THIS DRAWING IS A CONTROLLED DOCUMENT.		DWN	21APR2005	TE Connectivity
DIMENSIONS: mm		CHK	21APR2005	
TOLERANCES UNLESS OTHERWISE SPECIFIED:		APVD	13SEP2005	
0 PLC ±- 1 PLC ±0.5 2 PLC ±0.13 3 PLC ±- 4 PLC ±- ANGLES ±- FINISH ±-		PRODUCT SPEC 108-2059 APPLICATION SPEC 114-13075 WEIGHT -	NAME ASSEMBLY, WIRE CONNECTOR, 2 POSITION WITH BOARDLOCK, SCREWLESS, VERTICAL	
MATERIAL	1 -	2 -	SIZE A200779	DRAWING NO C-1811957
CUSTOMER DRAWING			SCALE 5:1	RESTRICTED TO SHEET 1 OF 1 REV A5