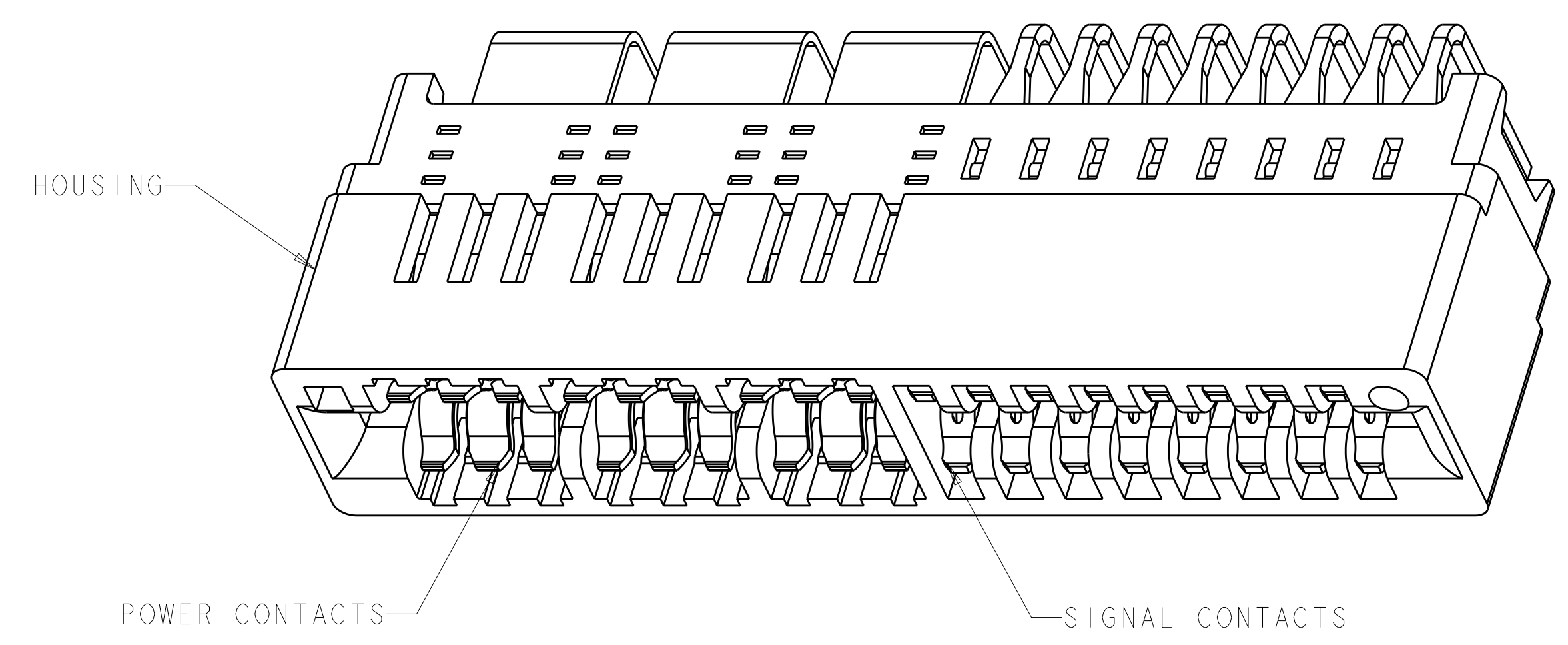
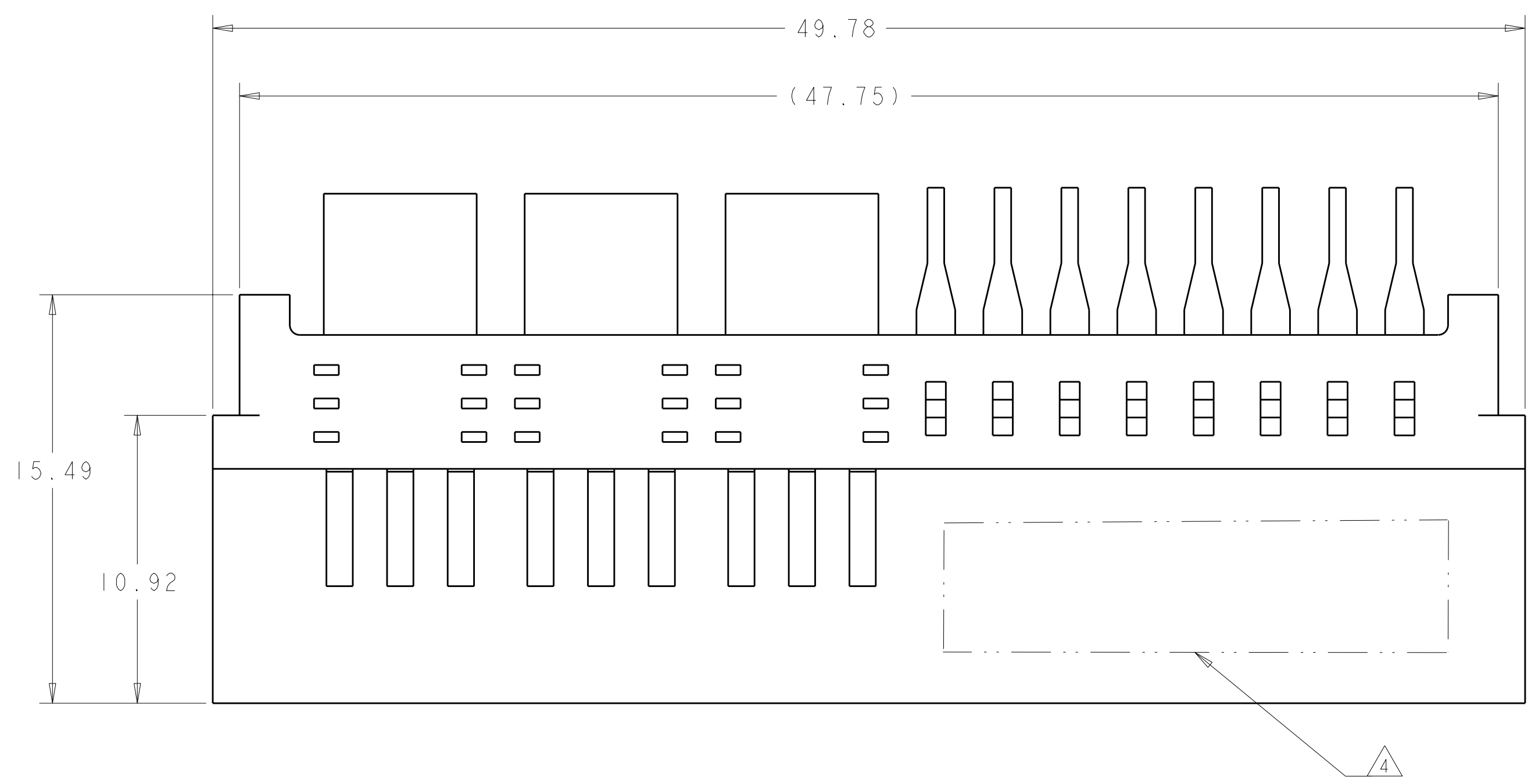
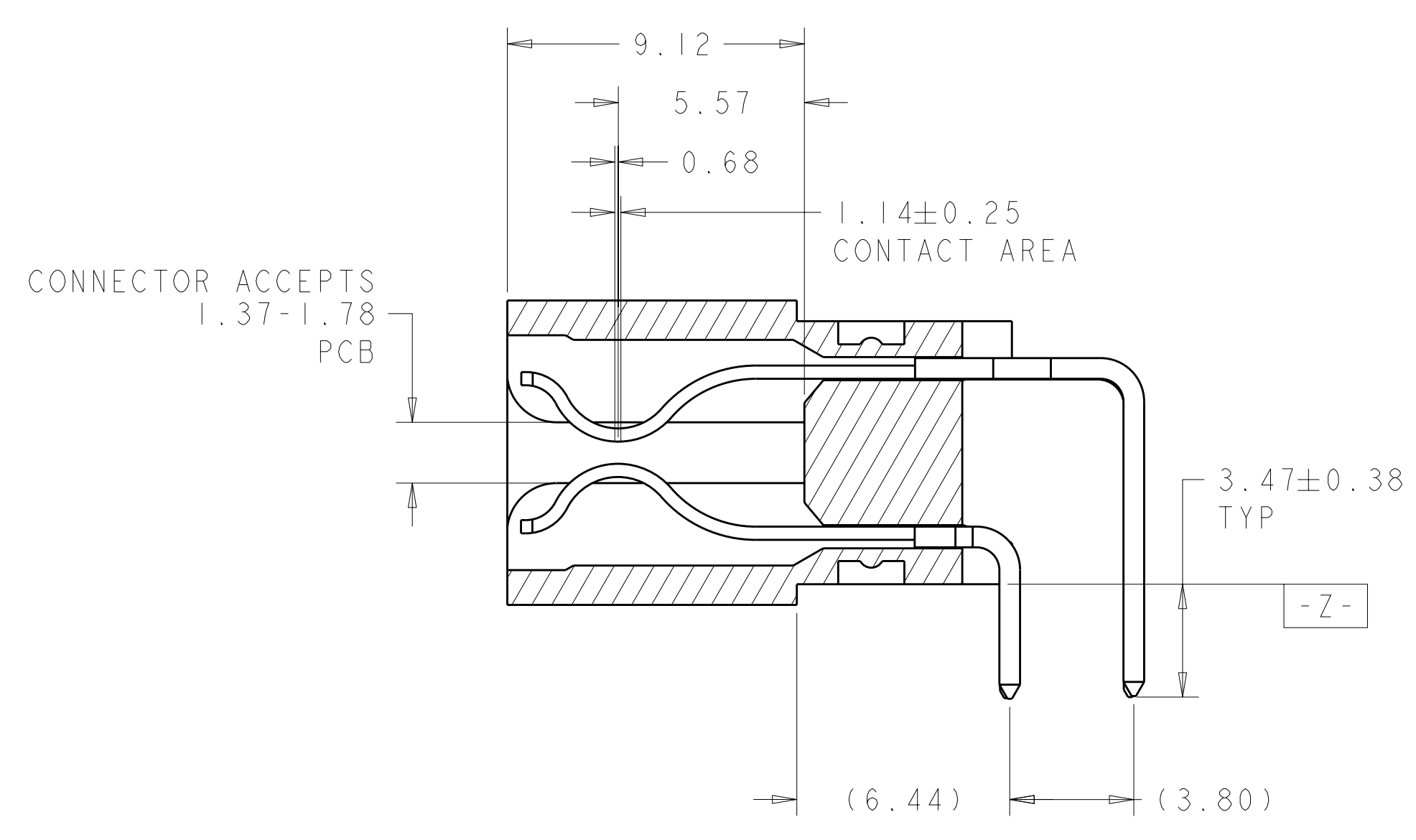
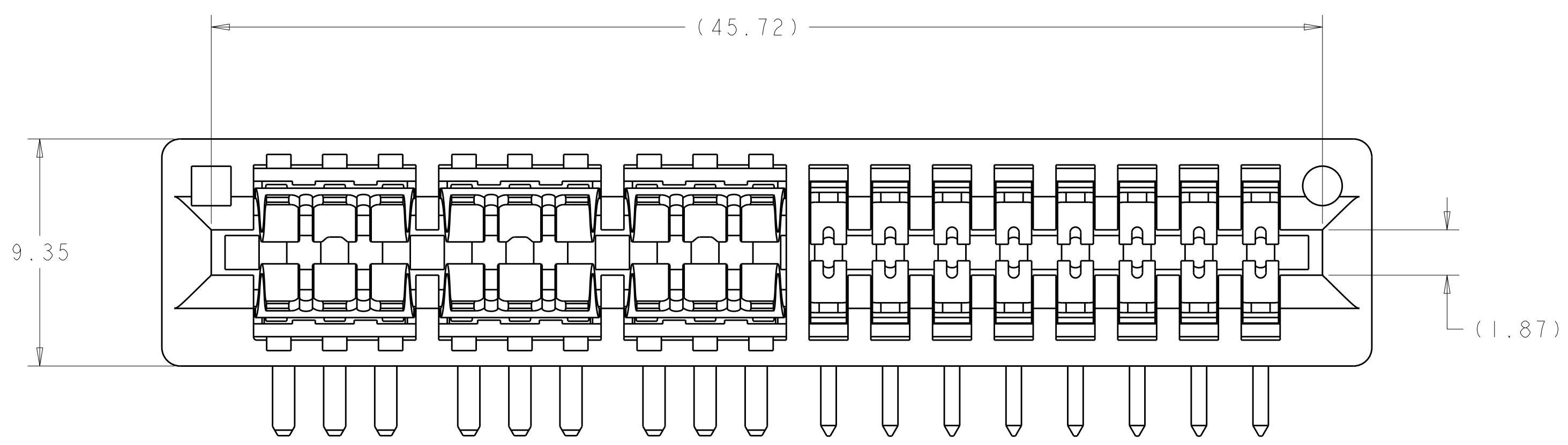


LOC	DIST	REVISIONS			
P	LTR	DESCRIPTION	DATE	DWN	APVD
GP	00	A	RELEASED PER ECO-10-014866	21JUL2010	RG MS



ISOMETRIC FRONT VIEW



SECTION Z-Z

- △ MATERIAL:  
 HOUSING - THERMOPLASTIC, GLASS REINFORCED,  
 COLOR: BLACK, UL94V-0 FLAMMABILITY RATED.  
 CONTACT - HIGH CONDUCTIVITY COPPER,
- △ FINISH:  
 CONTACT - GOLD PLATE 0.76µm MIN. THK., OVER NICKEL  
 1.27µm MIN. THK  
 SOLDER TAILS - MATTE TIN 2.54µm MIN. THK.  
 OVER NICKEL 1.27µm MIN THK.
- 3. NO BURRS AND/OR SHARP EDGES ARE PERMISSABLE.
- △ CONNECTOR ASSEMBLY MARKED WITH PART NUMBER  
 AND DATE CODE IN THIS AREA, APPROX. AS SHOWN.
- △ DATUMS AND BASIC DIMENSIONS TO BE ESTABLISHED BY CUSTOMER.

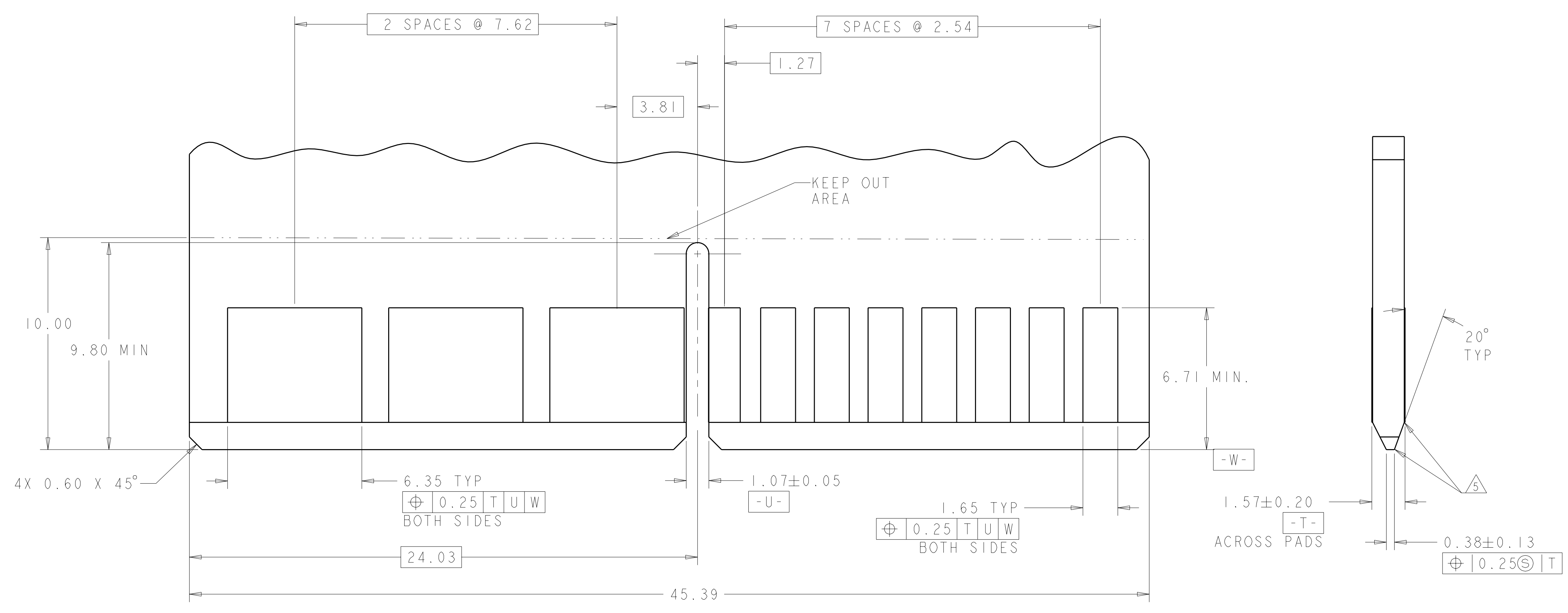
3P X 8S	2057372-1
DESCRIPTION	PART NUMBER

<small>THIS DRAWING IS UNPUBLISHED. RELEASED FOR PUBLICATION BY TYCO ELECTRONICS CORPORATION. ALL RIGHTS RESERVED.</small>		DWN D. LORD 31JUL2008 CHK G. PIETERS 15SEP2008 APVD A. CRANTUM 19SEP2008	Tyco Electronics Harrisburg, PA 17105-3608
DIMENSIONS: mm 	TOLERANCES UNLESS OTHERWISE SPECIFIED: 9 PLC ± 1 PLC ±0.25 5 PLC ± 4 PLC ± ANGLES ±°	NAME PRODUCT SPEC APPLICATION SPEC DRAWING NO WEIGHT	NAME CONNECTOR ASSY, STANDARD EDGE 11 RIGHT ANGLE 9 POWER X 8 SIGNAL
MATERIAL	FINISH	SIZE CAGE CODE DRAWING NO A 100779 C-2057372	RESTRICTED TO CUSTOMER DRAWING
		SCALE 1:1	SHEET 1 OF 2 REV A

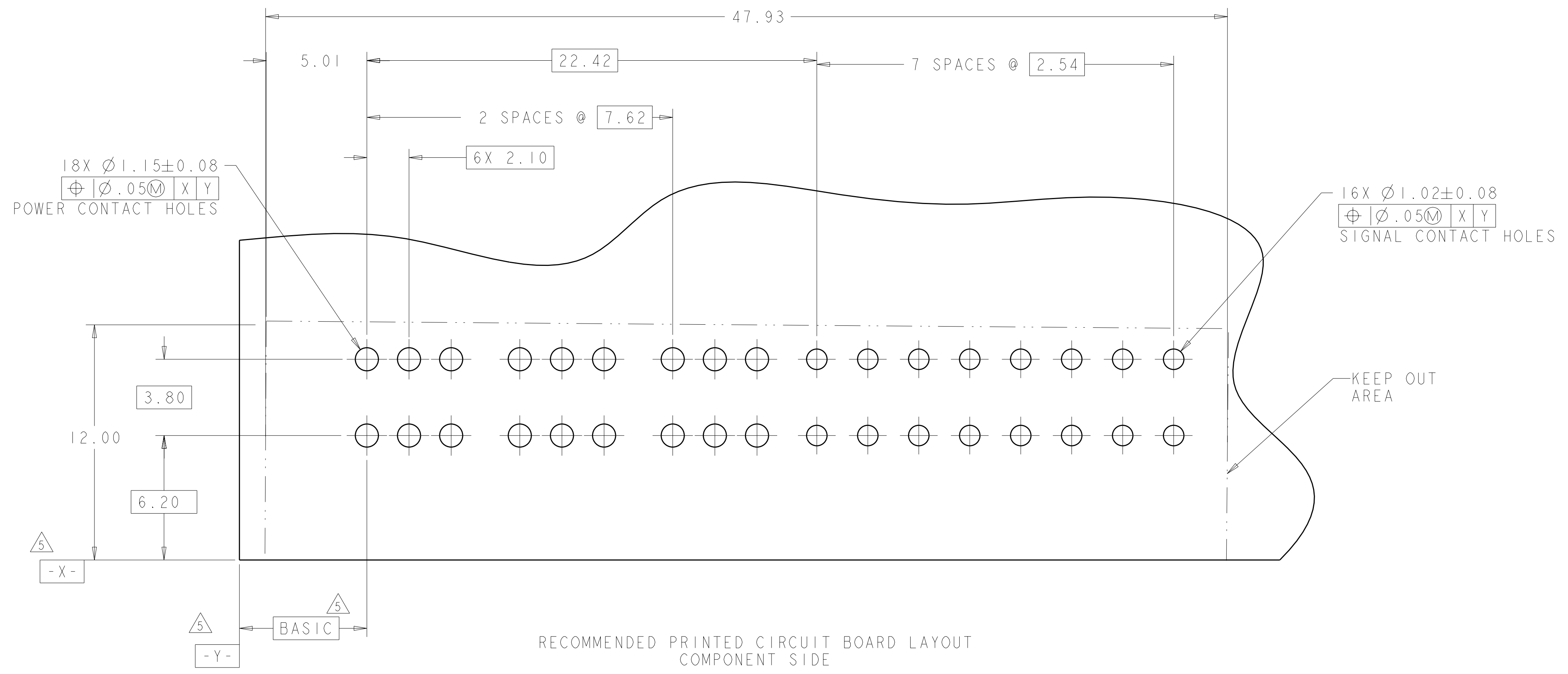
LOC	DIST	REV	DATE	BY	APPD
GP	00				

REVISIONS					
REV	DATE	BY	APPD	DESCRIPTION	
-	-	-	-	SEE SHEET 1	



RECOMMENDED MATING BOARD EDGE CONFIGURATION  
 TYP. BOTH SIDES



RECOMMENDED PRINTED CIRCUIT BOARD LAYOUT  
 COMPONENT SIDE

<small>THIS DRAWING IS UNPUBLISHED. RELEASED FOR PUBLICATION. IT IS SUBJECT TO CHANGE WITHOUT NOTICE. THE USER SHALL BE RESPONSIBLE FOR VERIFYING THE DIMENSIONS AND TOLERANCES OF THE PARTS AND COMPONENTS USED IN THE ASSEMBLY. THE USER SHALL BE RESPONSIBLE FOR VERIFYING THE DIMENSIONS AND TOLERANCES OF THE PARTS AND COMPONENTS USED IN THE ASSEMBLY.</small>		DWN: D. LORD 31 JUL 2008 CHK: G. PEIERS 15 SEP 2008 APVD: A. PRANTUM 19 SEP 2008	Tyco Electronics Harrisburg, PA 17105-3608
DIMENSIONS: mm 	TOLERANCES UNLESS OTHERWISE SPECIFIED: 9 PLC ± 1 PLC ± 2 PLC ±0.25 3 PLC ± 4 PLC ± ANGLES ±°	NAME: CONNECTOR ASSY, STANDARD EDGE 11 RIGHT ANGLE 9 POWER X 8 SIGNAL PRODUCT SPEC: 108-2022 APPLICATION SPEC: 114-13018 WEIGHT: - CUSTOMER DRAWING	SIZE: A CAGE CODE: 100779 DRAWING NO: C=2057372 RESTRICTED TO: - SCALE: 1:1 SHEET: 2 OF 2 REV: A