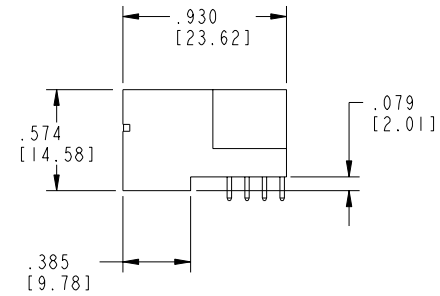
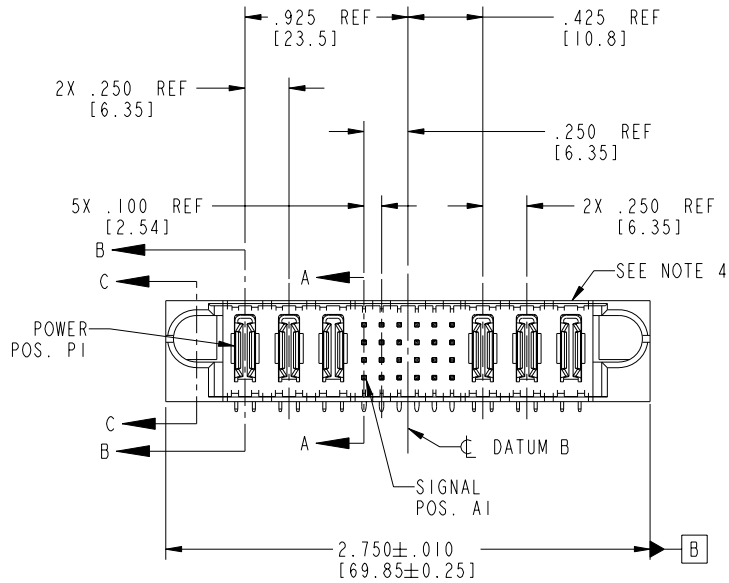


Tous droits strictement réservés. Reproduction ou communication à des tiers interdite sous quelque forme que ce soit sans autorisation écrite du propriétaire. Propriété de c FCI. Droits de reproduction FCI.

All rights strictly reserved. Reproduction or issue to third parties in any form whatever is not permitted without written authority from the proprietor. Property of FCI. Copyright FCI.

PRODUCT NO.	ROWS	POWER			SIGNAL						POWER			
		E1	P1	P2	P3	1	2	3	4	5	6	P4	P5	P6
51730-033	D C B A													
NOTE: ③					U	U	H	U	H	U				
					S	S	S	S	S	S				
					R	R	R	R	R	R				



CODE	DIM "M" MATING LENGTH	CONTACT TYPE
E	.220 [5.59]	SIGNAL
H	.220 [5.59]	SIGNAL
R	.270 [6.86]	SIGNAL
S	.270 [6.86]	SIGNAL
T	.270 [6.86]	SIGNAL
U	.270 [6.86]	SIGNAL
PA	N/A [N/A]	POWER

mat'l code				SEE NOTE 2		tolerances unless otherwise specified		CUSTOMER		 www.fciconnect.com	
ltr	ecn no.	dr	date	linear		.XX±.01/0.X±0.3	COPY		projection		title
A	V12240	JRW	09/24/01			.XXX±.005/0.XX±0.13					3P + 24S + 3P
B	V21291	CGD	09/10/02			.XXX±.0020/0.XXX±0.051					RIGHT ANGLE SOLDER HEADER
C	DG05-0231	SJ	07/18/05	angles		0° ± 2°					product family
D	DG05-0560	CS	12/26/05	dr	C. DAILY	09/10/02	INCH/MM		scale		PwrBlade
				enrg	M. MOSTOLLER	09/10/02	1:1		size		code
				chr	M. MOSTOLLER	09/10/02			A		213
				appd	M. MOSTOLLER	09/10/02			51730-033		sheet
sheet index	revision sheet	D	D	D	D	D					1 of 4
		1	2	3	4						

cage code 22526 4

PDM: Rev:D

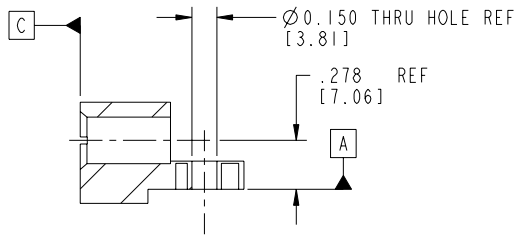
STATUS: Released

Printed: Dec 20, 2010

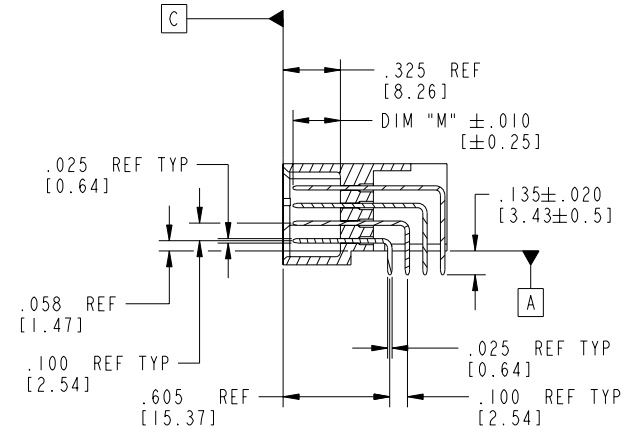
Tous droits strictement réservés. Reproduction ou communication à des tiers interdite sous quelque forme que ce soit sans autorisation écrite du propriétaire. Propriété de FCI. Droits de reproduction FCI.

All rights strictly reserved. Reproduction or issue to third parties in any form whatever is not permitted without written authority from the proprietor. Property of FCI. Copyright FCI.

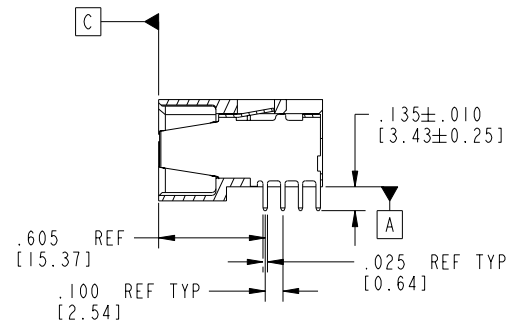
PRODUCT NUMBER
51730-033_-
NOTE: ③




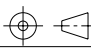

SECTION C-C



SECTION A-A



SECTION B-B

mat'l code		SEE NOTE 2		tolerances unless otherwise specified		CUSTOMER		 www.fciconnect.com	
ltr	ecn no.	dr	date	linear	.XX±.01/0.X±0.3	COPY		projection	title
D					.XXX±.005/0.XX±0.13				3P + 24S + 3P
				angles	.XXX±.0020/0.XXX±0.051				RIGHT ANGLE SOLDER HEADER
				dr	0°±2°			product family	PwrBlade
				engr	C. DAILY 09/10/02	INCH/MM		size	213
				chr	M. MOSTOLLER 09/10/02	scale		dwg no	51730-033
				appd	M. MOSTOLLER 09/10/02	1:1		sheet	2 of 4
sheet index	revision sheet								

cage code 22526

Pro/E

PDM: Rev:D

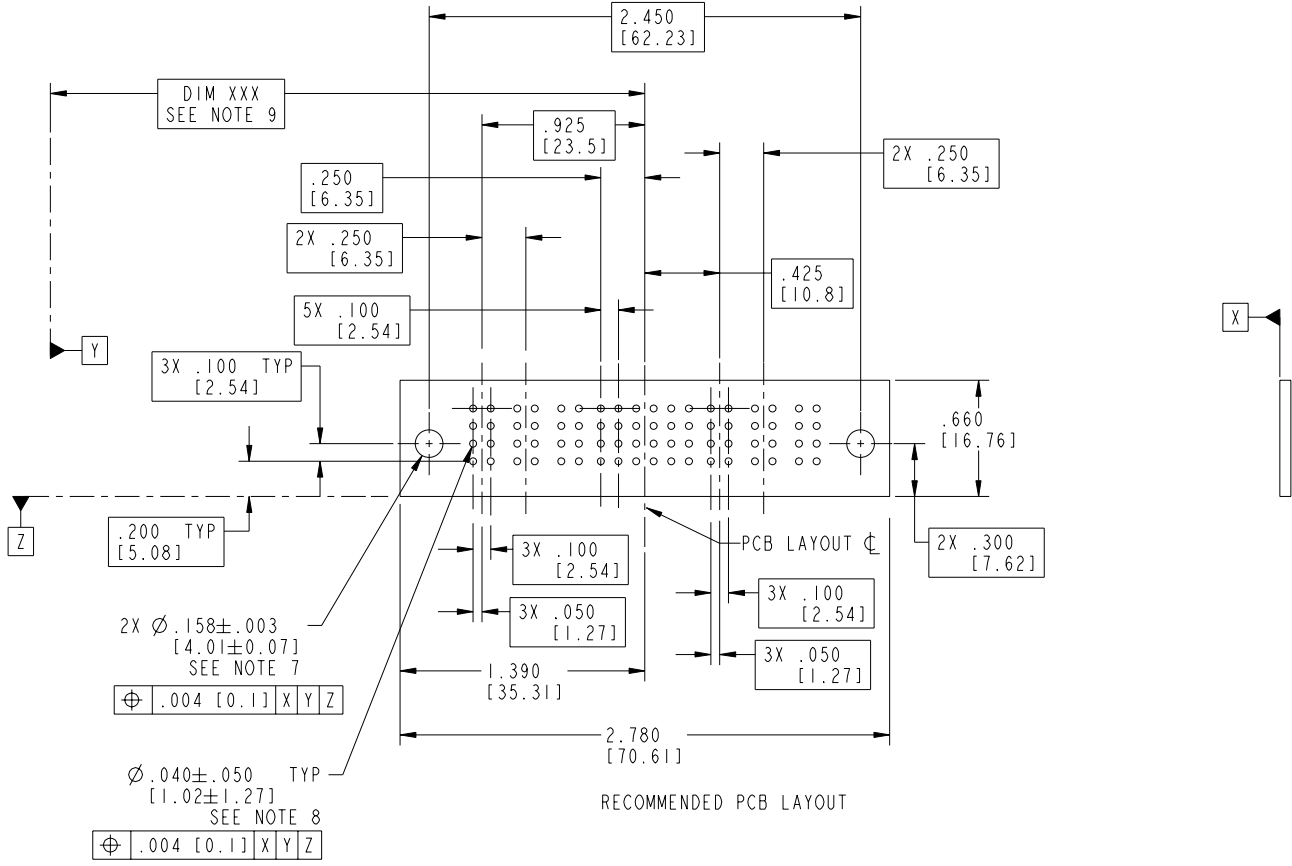
STATUS: Released

Printed: Dec 20, 2010

Tous droits strictement réservés. Reproduction ou communication a des tiers interdite sous quelque forme que ce soit sans autorisation écrite du propriétaire. Propriété de c FCI. Droits de reproduction FCI.

All rights strictly reserved. Reproduction or issue to third parties in any form whatever is not permitted without written authority from the proprietor. Property of FCI. Copyright FCI.

PRODUCT NUMBER
51730-033_
NOTE: ③



mat'l code				SEE NOTE 2		tolerances unless otherwise specified		CUSTOMER		 www.fciconnect.com	
ltr	ecn no.	dr	date	linear	.XX±.01/0.X±0.3	COPY		projection		title	
D				angles	.XXX±.005/0.XX±0.13					3P + 24S + 3P RIGHT ANGLE SOLDER HEADER	
				dr	.XXXX±.0020/0.XXX±0.051	C. DAILY 09/10/02		INCH/MM		product family	
				enrg	0°±2°	M. MOSTOLLER 09/10/02		1:1		PwrBlade	
				chr		M. MOSTOLLER 09/10/02				code	
				appd		M. MOSTOLLER 09/10/02				213	
sheet index		revision sheet		scale		size		dwg no		sheet	
				1:1		A		51730-033		3 of 4	
										cage code	
										22526	

Pro/E

PDM: Rev:D

STATUS: Released

Printed: Dec 20, 2010


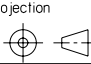
Tous droits strictement réservés. Reproduction ou communication a des tiers interdite sous quelque forme que ce soit sans autorisation écrite du propriétaire. Propriété de c FCI. Droits de reproduction FCI.

All rights strictly reserved. Reproduction or issue to third parties in any form whatever is not permitted without written authority from the proprietor. Property of FCI. Copyright FCI.

PRODUCT NUMBER
51730-033_-
NOTE: ③

NOTES:

1. DIMENSIONS AND TOLERANCES ARE IN ACCORDANCE WITH ASME Y14.5M, 1994 UNLESS OTHERWISE SPECIFIED.
- CONNECTORS NOTES:
- ② HOUSING MATERIAL: UL 94 V-0 GLASS FILLED HIGH TEMP THERMO PLASTIC
POWER CONTACT MATERIAL: COPPER ALLOY
SIGNAL PIN MATERIAL: COPPER ALLOY
- ③ PLATING:
51730-033, 51730-033LF, PLATING SPEC SEE PRINT: 100064183.
4. "MANUFACTURER" NAME, P/N, AND DATE CODE TO APPEAR ON THIS SURFACE.
5. PRODUCT SPECIFICATION GS-12-149.
- PCB - NOTES:
6. ALL HOLE DIAMETERS ARE FINISHED HOLE SIZE.
- ⑦ HOLD DOWN THROUGH HOLES ARE UNPLATED.
- ⑧ $\varnothing .0453 \pm 0.0010$ [1.151 \pm 0.025] DRILLED HOLES PLATED WITH 0.0003 [0.008] MIN SnPb OVER .001 [0.03] TO .003 [0.08] Cu PLATING TO ACHIEVE $\varnothing .040 \pm .003$ [1.02 \pm .07] HOLE.
- ⑨ "DIM XXX" TO BE DETERMINED BY THE CUSTOMER.

mat'l code				SEE NOTE 2				tolerances unless otherwise specified				CUSTOMER				 www.fciconnect.com			
ltr	ecn no.	dr	date	linear	.XX+ .01/0.X+0.3			COPY				projection				title			
D					.XXX+ .005/0.XX+0.13			INCH/MM				3P + 24S + 3P							
				angles	XXXX+ .0020/0.XXX+0.051							RIGHT ANGLE SOLDER HEADER							
				dr	C. DAILY	09/10/02			product family				PwrBlade						
				enr	M. MOSTOLLER	09/10/02			size				213						
				chr	M. MOSTOLLER	09/10/02			scale				4 of 4						
				appd	M. MOSTOLLER	09/10/02			A				51730-033						
sheet index		revision sheet																	

cage code 22526 4