

S1C17W15 (rev 1.00)

New series

16-bit Single Chip Microcontroller

- Low power operation from 1.2V with a single alkaline or silver oxide button battery.
- Low power consumption standby driving at HALT 0.5 μ A (TBD) .
*super economy mode
- Built-in LCD Driver: 30 SEG x 8 COM (max.)
- Internal 4ch R/F converters enable to realize various sensing.

■ DESCRIPTIONS

The S1C17W15 is a 16-bit MCU that features low-voltage operation from 1.2 V even though the Flash memory is included. The embedded high-efficiency DC-DC converter generates the constant-voltage to drive the IC with lower power consumption than 4-bit MCUs. This IC includes a real-time clock, a stopwatch, an LCD driver, and a PWM timer capable of being used to generate drive waveforms for a motor driver as well as a high-performance 16-bit CPU. It is suitable for battery-driven applications that require an LCD display and timers.

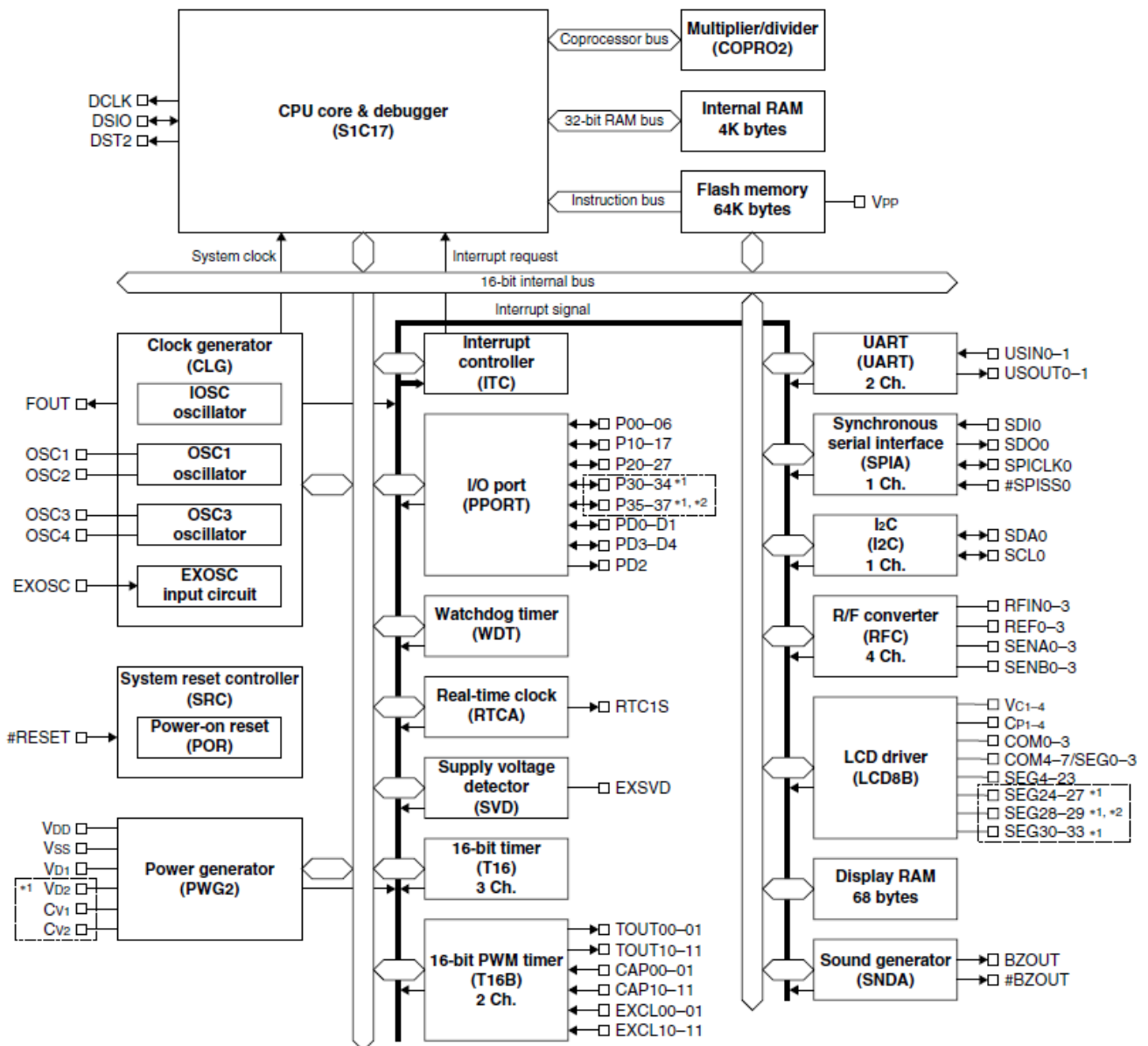
■ FEATURES

Model	S1C17W15
CPU	
CPU Core	Seiko Epson original 16-bit RISC CPU Core S1C17
Other	On-chip debugger
Embedded Flash memory	
Capacity	64K bytes (for both instructions and data)
Erase/program count	50 times (min.) * Programming by the debugging tool ICDmini
Other	Security function to protect from reading/programming by ICDmini On-board programming function using ICDmini
Embedded RAM	
Capacity	4K bytes
Embedded display RAM	
Capacity	68 bytes
Clock generator (CLG)	
System clock source	4 sources (IOSC/OSC1/OSC3/EXOSC)
System clock frequency (operating frequency)	1.1 MHz (max.) VDD = 1.2 to 1.6 V 4.2 MHz (max.) VDD = 1.6 to 3.6 V
IOSC oscillator circuit (boot clock source)	700 kHz (typ.) embedded oscillator 23 μ s (max.) starting time (time from cancelation of SLEEP state to vector table read by the CPU)
OSC1 oscillator circuit	32.768 kHz (typ.) crystal oscillator Oscillation stop detection circuit included
OSC3 oscillator circuit	4.2 MHz (max.) crystal/ceramic oscillator 500 kHz, 1, 2, and 4 MHz-switchable embedded oscillator 500 Hz to 2 MHz CR oscillator (an external R is required)
EXOSC clock input	4.2 MHz (max.) square or sine wave input
Other	Configurable system clock division ratio Configurable system clock used at wake up from SLEEP state Operating clock frequency for the CPU and all peripheral circuits is selectable.
I/O port (PPORT)	
Number of general-purpose I/O ports	Input/output port: 35 bits (max., 100-pin package or chip) 32 bits (max., 80-pin package) 27 bits (max., 64-pin package) Output port: 1 bit (max.) Pins are shared with the peripheral I/O.
Number of input interrupt ports	31 bits (max., 100-pin package or chip) 28 bits (max., 80-pin package) 23 bits (max., 64-pin package)
Number of ports that support universal port multiplexer (UPMUX)	23 bits A peripheral circuit I/O function selected via software can be assigned to each port.
Timers	
Watchdog timer (WDT)	Generates NMI or watchdog timer reset.
Real-time clock (RTCA)	128–1 Hz counter, second/minute/hour/day/day of the week/month/year counters Theoretical regulation function for 1-second correction Alarm and stopwatch functions
16-bit timer (T16)	3 channels Generates the SPIA master clock.
16-bit PWM timer (T16B)	2 channels Event counter/capture function PWM waveform generation function Number of PWM output or capture input ports: 2 ports/channel
Supply voltage detector (SVD)	
Detection level	30 levels (1.2 to 3.6 V)
Detection accuracy	\pm 3%
Other	Intermittent operation mode

S1C17W15

	Generates an interrupt or reset according to the detection level evaluation.
Serial interfaces	
UART (UART)	2 channel Baud-rate generator included, IrDA1.0 supported
Synchronous Serial Interface (SPIA)	1 channel 2 to 16-bit variable data length The 16-bit timer (T16) can be used for the baud-rate generator in master mode.
I ² C (I2C)	1 channel Baud-rate generator included
Sound generator (SNDA)	
Buzzer output function	512 Hz to 16 kHz output frequencies One-shot output function
Melody generation function	Pitch: 128 Hz to 16 kHz \approx C3 to C6 Duration: 7 notes/rests (Half note/rest to thirty-second note/rest) Tempo: 16 tempos (30 to 480) Tie may be specified.
LCD driver (LCD24A)	
LCD output	30 SEG \times 5–8 COM (max.), 34 SEG \times 1–4 COM (max.) (100-pin package or chip) 28 SEG \times 5–8 COM (max.), 32 SEG \times 1–4 COM (max.) (80-pin package) 20 SEG \times 5–8 COM (max.), 24 SEG \times 1–4 COM (max.) (64-pin package)
LCD contrast	32 levels
Other	1/4 or 1/3 bias power supply included, external voltage can be applied.
R/F converter (RFC)	
Conversion method	CR oscillation type with 24-bit counters
Number of conversion channels	4 channels (Up to two sensors can be connected to each channel.)
Supported sensors	DC-bias resistive sensors, AC-bias resistive sensors (Ch.0 only)
Multiplier/divider (COPRO2)	
Arithmetic functions	16-bit \times 16-bit multiplier 16-bit \times 16-bit + 32-bit multiply and accumulation unit 32-bit \div 32-bit divider
Reset	
#RESET pin	Reset when the reset pin is set to low.
Power-on reset	Reset at power on.
Key entry reset	Reset when the P00 to P01/P02/P03 keys are pressed simultaneously (can be enabled/disabled using a register).
Watchdog timer reset	Reset when the watchdog timer overflows (can be enabled/disabled using a register).
Supply voltage detector reset	Reset when the supply voltage detector detects the set voltage level (can be enabled/disabled using a register).
Non-maskable interrupt	
Programmable interrupt	4 systems (Reset, address misaligned interrupt, debug, NMI) External interrupt: 1 system (8 levels) Internal interrupt: 20 systems (8 levels)
Power supply voltage	
VDD operating voltage	1.2 to 3.6 V
VDD operating voltage for Flash programming	1.8 to 3.6 V ($V_{PP} = 7.5$ V external power supply is required.)
VDD operating voltage for super economy mode	2.5 to 3.6 V (100-pin/80-pin package or chip)
Operating temperature	
Operating temperature range	-40 to 85 °C
Current consumption	
SLEEP mode	0.15 μ A IOSC=OFF, OSC1=OFF, OSC3=OFF
HALT mode	0.5 μ A OSC1=32 kHz, RTC=ON
	0.3 μ A OSC1=32 kHz, RTC=ON, Super economy mode (100-pin/80-pin package or chip)
	1.2 μ A OSC1=32 kHz, RTC=ON, CPU=OSC1, LCD=ON (no panel load, Vc2 reference, 1/3bias), Super economy mode (100-pin/80-pin package or chip)
RUN mode	8 μ A OSC1=32 kHz, RTC=ON, CPU=OSC1
	4 μ A OSC1=32 kHz, RTC=ON, CPU=OSC1, Super economy mode (100-pin/80-pin package or chip)
	250 μ A OSC3=1MHz (ceramic oscillator), OSC1=32kHz, RTC=ON, CPU=OSC3
Shipping form	
1	SQFN9-64pin
2	TQFP13-64pin
3	TQFP14-80pin
4	QFP15-100pin
5	Die form (Pad pitch: 80 μ m (min.))

■ BLOCK DIAGRAM



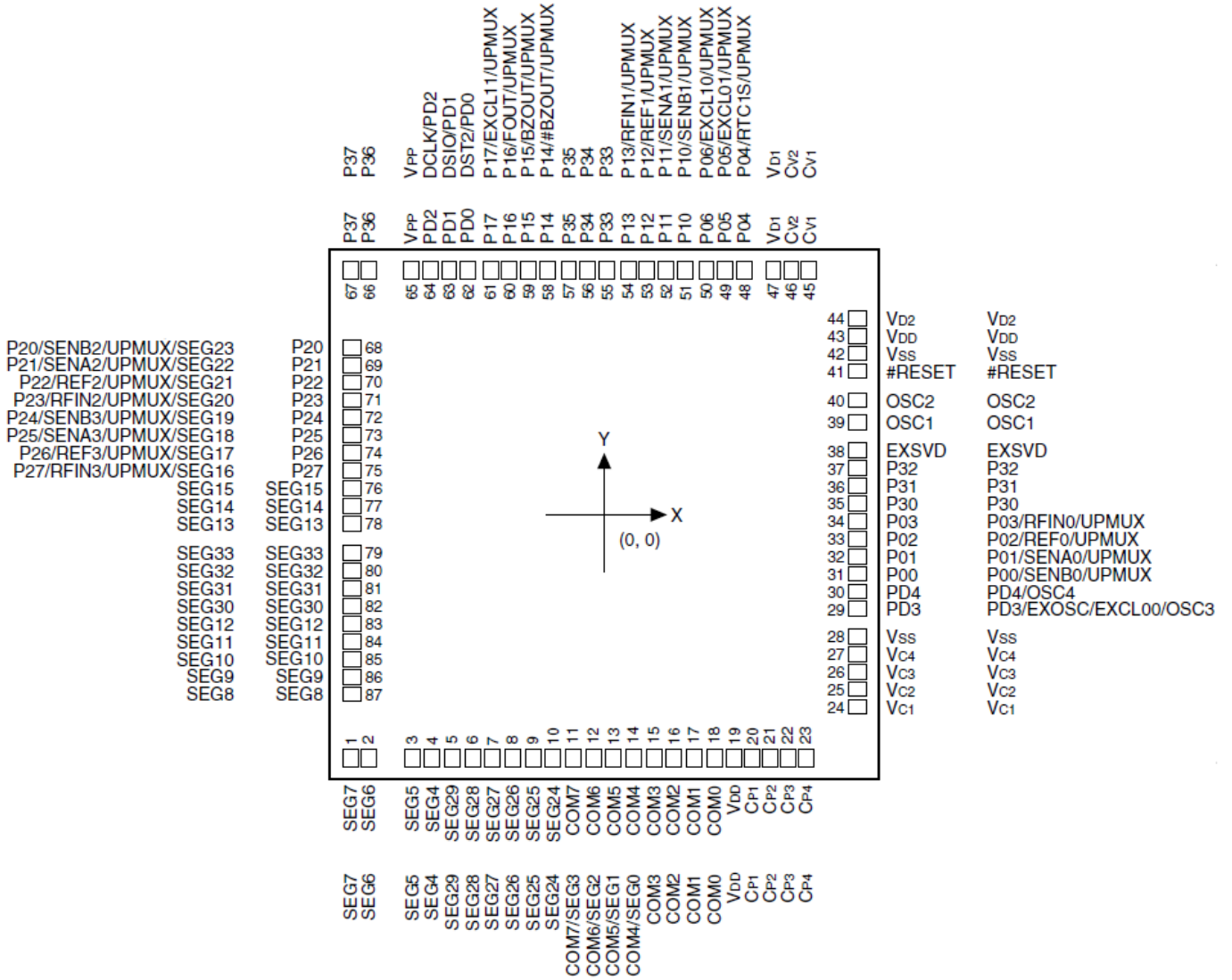
*1 These pins do not exist in the 64-pin package.

*2 These pins do not exist in the 80-pin package.

S1C17W15

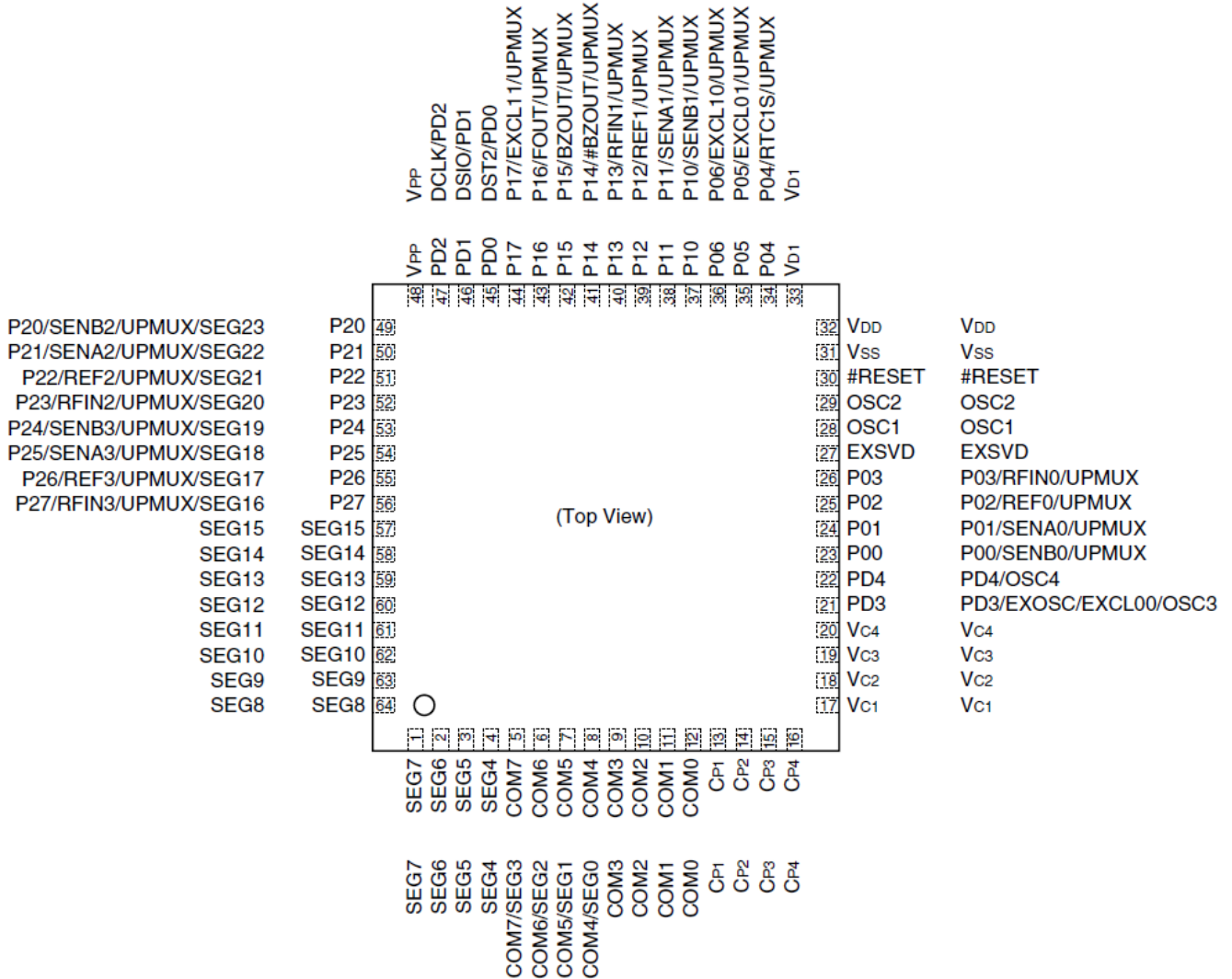
■ PIN CONFIGURATION DIAGRAM

Die form



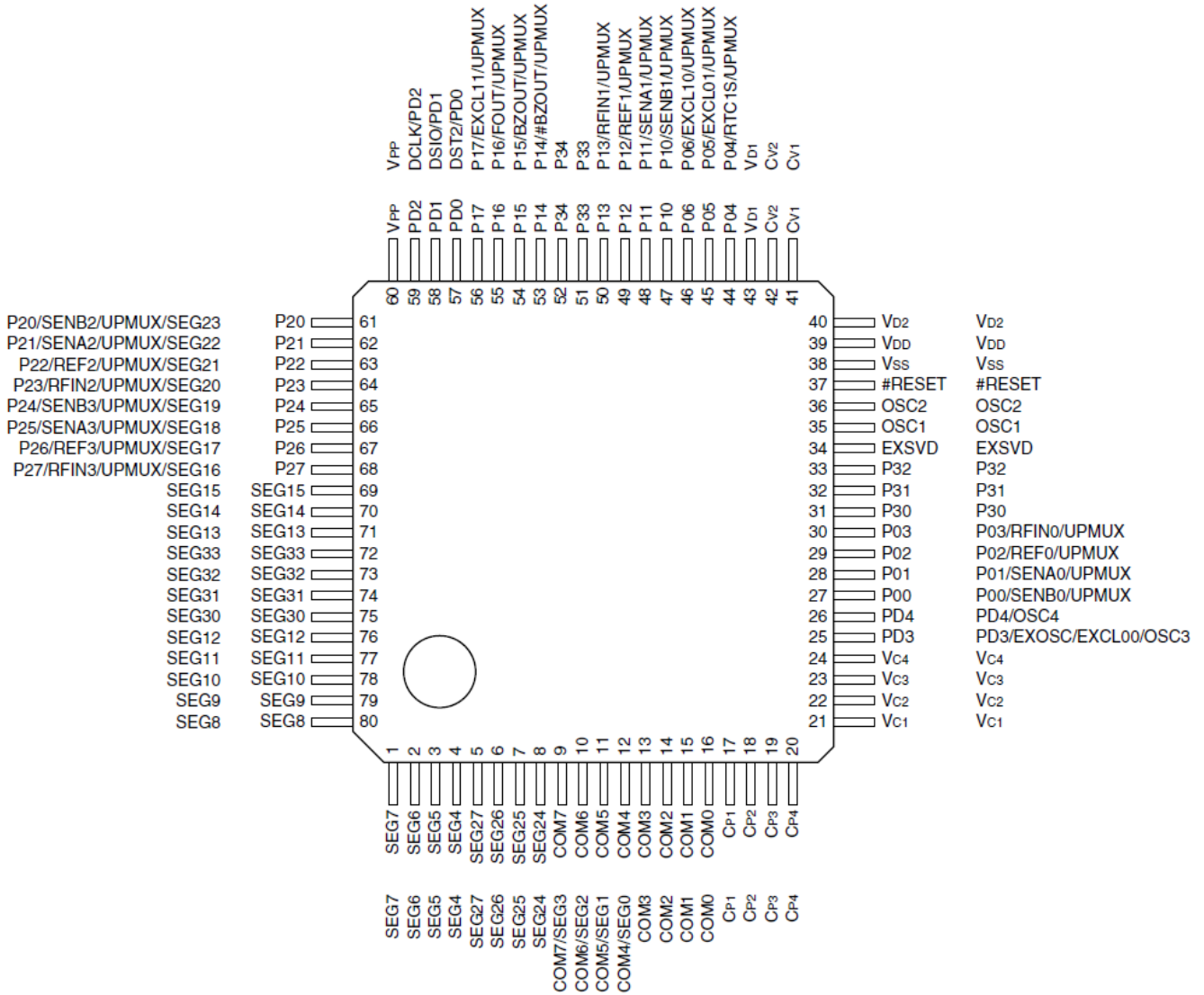
S1C17W15

SQFN9-64pin, TQFP13-64pin



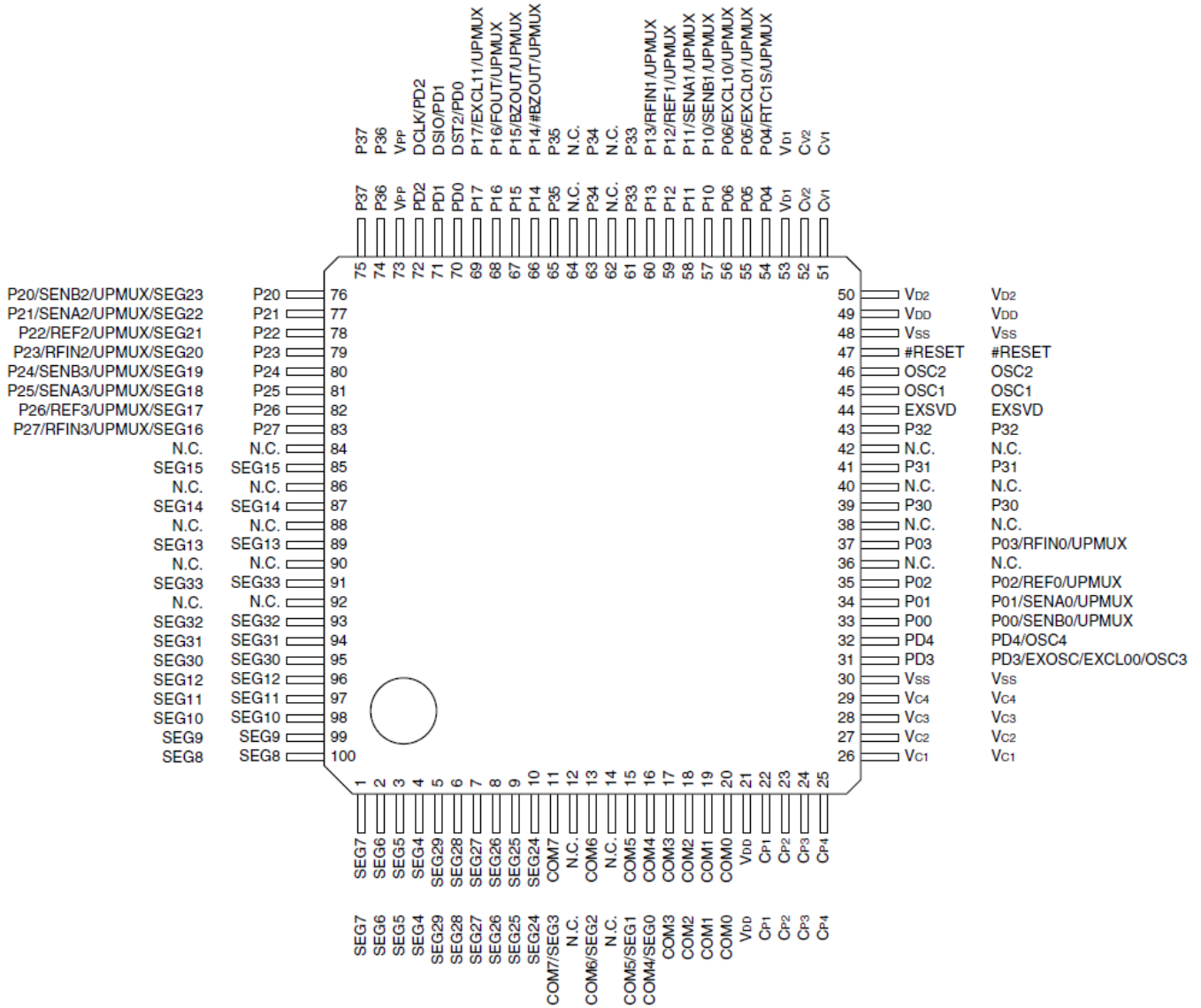
S1C17W15

TQFP14-80pin



S1C17W15

QFP15-100pin



S1C17W15

■ PIN DESCRIPTIONS

Assigned signal: The signal listed at the top of each pin is assigned in the initial state. The pin function must be switched via software to assign another signal (see the “I/O Ports” chapter).

I/O: I = Input
 O = Output
 I/O = Input/output
 P = Power supply
 A = Analog signal
 Hi-Z = High impedance state
 Initial state: I (Pull-up) = Input with pulled up
 I (Pull-down) = Input with pulled down
 Hi-Z = High impedance state
 O (H) = High level output
 O (L) = Low level output

Tolerant fail-safe structure: = Over voltage tolerant fail-safe type I/O cell included (see the “I/O Ports” chapter)

Pin/pad name	Assigned signal	I/O	Initial state	Tolerant fail-safe structure	Function	Package		
						64pin	80pin	100pin /Chip
VDD	VDD	P	-	-	Power supply (+)	✓	✓	✓
VSS	VSS	P	-	-	GND	✓	✓	✓
VPP	VPP	P	-	-	Power supply for Flash programming	✓	✓	✓
VD1	VD1	A	-	-	DC-DC converter output	✓	✓	✓
VD2	VD2	A	-	-	DC-DC converter stabilization capacitor connect pin	-	✓	✓
CV1-2	CV1-2	A	-	-	DC-DC converter charge pump capacitor connect pins	-	✓	✓
VC1-4	VC1-4	P	-	-	LCD panel driver power supply	✓	✓	✓
CP1-4	CP1-4	A	-	-	LCD power supply booster capacitor connect pins	✓	✓	✓
OSC1	OSC1	A	-	-	OSC1 oscillator circuit input	✓	✓	✓
OSC2	OSC2	A	-	-	OSC1 oscillator circuit output	✓	✓	✓
#RESET	#RESET	I	I (Pull-up)	-	Reset input	✓	✓	✓
P00	P00	I/O	Hi-Z	-	I/O port	✓	✓	✓
	UPMUX	I/O			User-selected I/O (universal port multiplexer)	✓	✓	✓
	SENB0	I/O/A			R/F converter Ch.0 sensor B oscillator pin	✓	✓	✓
P01	P01	I/O	Hi-Z	-	I/O port	✓	✓	✓
	UPMUX	I/O			User-selected I/O (universal port multiplexer)	✓	✓	✓
	SENA0	I/O/A			R/F converter Ch.0 sensor A oscillator pin	✓	✓	✓
P02	P02	I/O	Hi-Z	-	I/O port	✓	✓	✓
	UPMUX	I/O			User-selected I/O (universal port multiplexer)	✓	✓	✓
	REF0	I/O/A			R/F converter Ch.0 reference oscillator pin	✓	✓	✓
P03	P03	I/O	Hi-Z	-	I/O port	✓	✓	✓
	UPMUX	I/O			User-selected I/O (universal port multiplexer)	✓	✓	✓
	RFIN0	I/O/A			R/F converter Ch.0 oscillation input	✓	✓	✓
P04	P04	I/O	Hi-Z	-	I/O port	✓	✓	✓
	RTC1S	O			Real-time clock 1-second cycle pulse output	✓	✓	✓
	UPMUX	I/O			User-selected I/O (universal port multiplexer)	✓	✓	✓
P05	P05	I/O	Hi-Z	-	I/O port	✓	✓	✓
	UPMUX	I/O			User-selected I/O (universal port multiplexer)	✓	✓	✓
	EXCL01	I			16-bit PWM timer Ch.0 event counter input 1	✓	✓	✓
P06	P06	I/O	Hi-Z	-	I/O port	✓	✓	✓
	UPMUX	I/O			User-selected I/O (universal port multiplexer)	✓	✓	✓
	EXCL10	I			16-bit PWM timer Ch.1 event counter input 0	✓	✓	✓
P10	P10	I/O	Hi-Z	✓	I/O port	✓	✓	✓
	UPMUX	I/O			User-selected I/O (universal port multiplexer)	✓	✓	✓
	SENB1	I/O			R/F converter Ch.1 sensor B oscillator pin	✓	✓	✓
P11	P11	I/O	Hi-Z	✓	I/O port	✓	✓	✓
	UPMUX	I/O			User-selected I/O (universal port multiplexer)	✓	✓	✓
	SENA1	I/O			R/F converter Ch.1 sensor A oscillator pin	✓	✓	✓

S1C17W15

Pin/pad name	Assigned signal	I/O	Initial state	Tolerant fail-safe structure	Function	Package		
						64pin	80pin	100pin /Chip
P12	P12	I/O	Hi-Z	✓	I/O port	✓	✓	✓
	UPMUX	I/O			User-selected I/O (universal port multiplexer)	✓	✓	✓
	REF1	I/O			R/F converter Ch.1 reference oscillator pin	✓	✓	✓
P13	P13	I/O	Hi-Z	✓	I/O port	✓	✓	✓
	UPMUX	I/O			User-selected I/O (universal port multiplexer)	✓	✓	✓
	RFIN1	O			R/F converter Ch.1 oscillation input	✓	✓	✓
P14	P14	I/O	Hi-Z	✓	I/O port	✓	✓	✓
	#BZOUT	O			Sound generator inverted output	✓	✓	✓
	UPMUX	I/O			User-selected I/O (universal port multiplexer)	✓	✓	✓
P15	P15	I/O	Hi-Z	✓	I/O port	✓	✓	✓
	BZOUT	O			Sound generator output	✓	✓	✓
	UPMUX	I/O			User-selected I/O (universal port multiplexer)	✓	✓	✓
P16	P16	I/O	Hi-Z	✓	I/O port	✓	✓	✓
	UPMUX	I/O			User-selected I/O (universal port multiplexer)	✓	✓	✓
	FOUT	O			Clock external output	✓	✓	✓
P17	P17	I/O	Hi-Z	✓	I/O port	✓	✓	✓
	UPMUX	I/O			User-selected I/O (universal port multiplexer)	✓	✓	✓
	EXCL11	A			16-bit PWM timer Ch.1 event counter input 1	✓	✓	✓
P20	P20	I/O	Hi-Z	✓	I/O port	✓	✓	✓
	UPMUX	I/O			User-selected I/O (universal port multiplexer)	✓	✓	✓
	SENB2	I/O			R/F converter Ch.2 sensor B oscillator pin	✓	✓	✓
	SEG23	A			LCD segment output	✓	✓	✓
P21	P21	I/O	Hi-Z	✓	I/O port	✓	✓	✓
	UPMUX	I/O			User-selected I/O (universal port multiplexer)	✓	✓	✓
	SENA2	I/O			R/F converter Ch.2 sensor A oscillator pin	✓	✓	✓
	SEG22	A			LCD segment output	✓	✓	✓
P22	P22	I/O	Hi-Z	✓	I/O port	✓	✓	✓
	UPMUX	I/O			User-selected I/O (universal port multiplexer)	✓	✓	✓
	REF2	I/O			R/F converter Ch.2 reference oscillator pin	✓	✓	✓
	SEG21	A			LCD segment output	✓	✓	✓
P23	P23	I/O	Hi-Z	✓	I/O port	✓	✓	✓
	UPMUX	I/O			User-selected I/O (universal port multiplexer)	✓	✓	✓
	RFIN2	I/O			R/F converter Ch.2 oscillation input	✓	✓	✓
	SEG20	A			LCD segment output	✓	✓	✓
P24	P24	I/O	Hi-Z	✓	I/O port	✓	✓	✓
	UPMUX	I/O			User-selected I/O (universal port multiplexer)	✓	✓	✓
	SENB3	I/O			R/F converter Ch.3 sensor B oscillator pin	✓	✓	✓
	SEG19	A			LCD segment output	✓	✓	✓
P25	P25	I/O	Hi-Z	✓	I/O port	✓	✓	✓
	UPMUX	I/O			User-selected I/O (universal port multiplexer)	✓	✓	✓
	SENA3	I/O			R/F converter Ch.3 sensor A oscillator pin	✓	✓	✓
	SEG18	A			LCD segment output	✓	✓	✓
P26	P26	I/O	Hi-Z	✓	I/O port	✓	✓	✓
	UPMUX	I/O			User-selected I/O (universal port multiplexer)	✓	✓	✓
	REF3	A			R/F converter Ch.3 reference oscillator pin	✓	✓	✓
	SEG17	A			LCD segment output	✓	✓	✓
P27	P27	I/O	Hi-Z	✓	I/O port	✓	✓	✓
	UPMUX	I/O			User-selected I/O (universal port multiplexer)	✓	✓	✓
	RFIN3	I/O			R/F converter Ch.3 oscillation input	✓	✓	✓
	SEG16	A			LCD segment output	✓	✓	✓

S1C17W15

Pin/pad name	Assigned signal	I/O	Initial state	Tolerant fail-safe structure	Function	Package		
						64pin	80pin	100pin /Chip
P30	P30	I/O	Hi-Z	✓	I/O port	✓	✓	✓
P31	P31	I/O	Hi-Z	✓	I/O port	✓	✓	✓
P32	P32	I/O	Hi-Z	✓	I/O port	✓	✓	✓
P33	P33	I/O	Hi-Z	✓	I/O port	✓	✓	✓
P34	P34	I/O	Hi-Z	✓	I/O port	✓	✓	✓
P35	P35	I/O	Hi-Z	✓	I/O port	✓	✓	✓
P36	P36	I/O	Hi-Z	✓	I/O port	✓	✓	✓
P37	P37	I/O	Hi-Z	✓	I/O port	✓	✓	✓
PD0	DST2	O	O (L)	✓	On-chip debugger status output	✓	✓	✓
	PD0	I/O			I/O port	✓	✓	✓
PD1	DSIO	I/O	I (Pull-up)	✓	On-chip debugger data input/output	✓	✓	✓
	PD1	I/O			I/O port	✓	✓	✓
PD2	DCLK	I/O	O(H)	✓	On-chip debugger clock output	✓	✓	✓
	PD2	O			Output port	✓	✓	✓
PD3	PD3	I/O	Hi-Z	-	I/O port	✓	✓	✓
	EXOSC	I			Clock generator external clock input	✓	✓	✓
	EXCL00	I			16-bit PWM timer Ch.0 event counter input 0	✓	✓	✓
	OSC3	A			OSC3 oscillator circuit input	✓	✓	✓
PD4	PD4	I/O	Hi-Z	-	I/O port	✓	✓	✓
	OSC4	A			OSC3 oscillator circuit output	✓	✓	✓
COM0-3	COM0-3	A	Hi-Z	-	LCD common output	✓	✓	✓
COM4	COM4	A	Hi-Z	-	LCD common output	✓	✓	✓
	SEG0	A			LCD segment output	✓	✓	✓
COM5	COM5	A	Hi-Z	-	LCD common output	✓	✓	✓
	SEG1	A			LCD segment output	✓	✓	✓
COM6	COM6	A	Hi-Z	-	LCD common output	✓	✓	✓
	SEG2	A			LCD segment output	✓	✓	✓
COM7	COM7	A	Hi-Z	-	LCD common output	✓	✓	✓
	SEG3	A			LCD segment output	✓	✓	✓
SEG4-15	SEG4-15	A	Hi-Z	-	LCD segment output	✓	✓	✓
SEG24-27	SEG24-27	A	Hi-Z	-	LCD segment output	-	✓	✓
SEG28-29	SEG28-29	A	Hi-Z	-	LCD segment output	-	-	✓
SEG30-33	SEG30-33	A	Hi-Z	-	LCD segment output	-	✓	✓
EXSVD	EXSVD	A	A (I)	-	External power supply voltage detection input	✓	✓	✓

Note: In the peripheral circuit descriptions, the assigned signal name is used as the pin name.

Universal port multiplexer (UPMUX)

The universal port multiplexer (UPMUX) allows software to select the peripheral circuit input/output function to be assigned to each pin from those listed below.

Peripheral circuit	Signal to be assigned	I/O	Channel number <i>n</i>	Function
Synchronous serial interface (SPIA)	SDI _{<i>n</i>}	I	<i>n</i> =0	SPIA Ch. <i>n</i> data input
	SDO _{<i>n</i>}	O		SPIA Ch. <i>n</i> data output
	SPICLK _{<i>n</i>}	I/O		SPIA Ch. <i>n</i> clock input/output
	#SPISS _{<i>n</i>}	I		SPIA Ch. <i>n</i> slave-select input
I ² C (I2C)	SCL _{<i>n</i>}	I/O	<i>n</i> =0	I2C Ch. <i>n</i> clock input/output
	SDA _{<i>n</i>}	I/O		I2C Ch. <i>n</i> data input/output
UART (UART)	USIN _{<i>n</i>}	I	<i>n</i> =0,1	UART Ch. <i>n</i> data input
	USOUT _{<i>n</i>}	O		UART Ch. <i>n</i> data output
16-bit PWM timer (T16B)	TOUT _{<i>n</i>0} /CAP _{<i>n</i>0}	I/O	<i>n</i> =0,1	T16B Ch. <i>n</i> PWM output/capture input 0
	TOUT _{<i>n</i>1} /CAP _{<i>n</i>1}	I/O		T16B Ch. <i>n</i> PWM output/capture input 1

Note: Do not assign a function to two or more pins simultaneously.

NOTICE:

No part of this material may be reproduced or duplicated in any form or by any means without the written permission of Seiko Epson. Seiko Epson reserves the right to make changes to this material without notice. Seiko Epson does not assume any liability of any kind arising out of any inaccuracies contained in this material or due to its application or use in any product or circuit and, further, there is no representation that this material is applicable to products requiring high level reliability, such as, medical products. Moreover, no license to any intellectual property rights is granted by implication or otherwise, and there is no representation or warranty that anything made in accordance with this material will be free from any patent or copyright infringement of a third party. When exporting the products or technology described in this material, you should comply with the applicable export control laws and regulations and follow the procedures required by such laws and regulations. You are requested not to use, to resell, to export and/or to otherwise dispose of the products (and any technical information furnished, if any) for the development and/or manufacture of weapon of mass destruction or for other military purposes.

All brands or product names mentioned herein are trademarks and/or registered trademarks of their respective companies.

©Seiko Epson Corporation 2013, All rights reserved

SEIKO EPSON CORPORATION

MICRODEVICES OPERATIONS DIVISION

IC Sales & Marketing Department

421-8 Hino, Hino-shi, Tokyo 191-8501, JAPAN

Phone: +81-42-587-5814 FAX: +81-42-587-5117

EPSON semiconductor website

http://www.epson.jp/device/semicon_e/

Document code:412533401
First issue Mar, 2013 in Japan
Revised Oct, 2013 in Japan