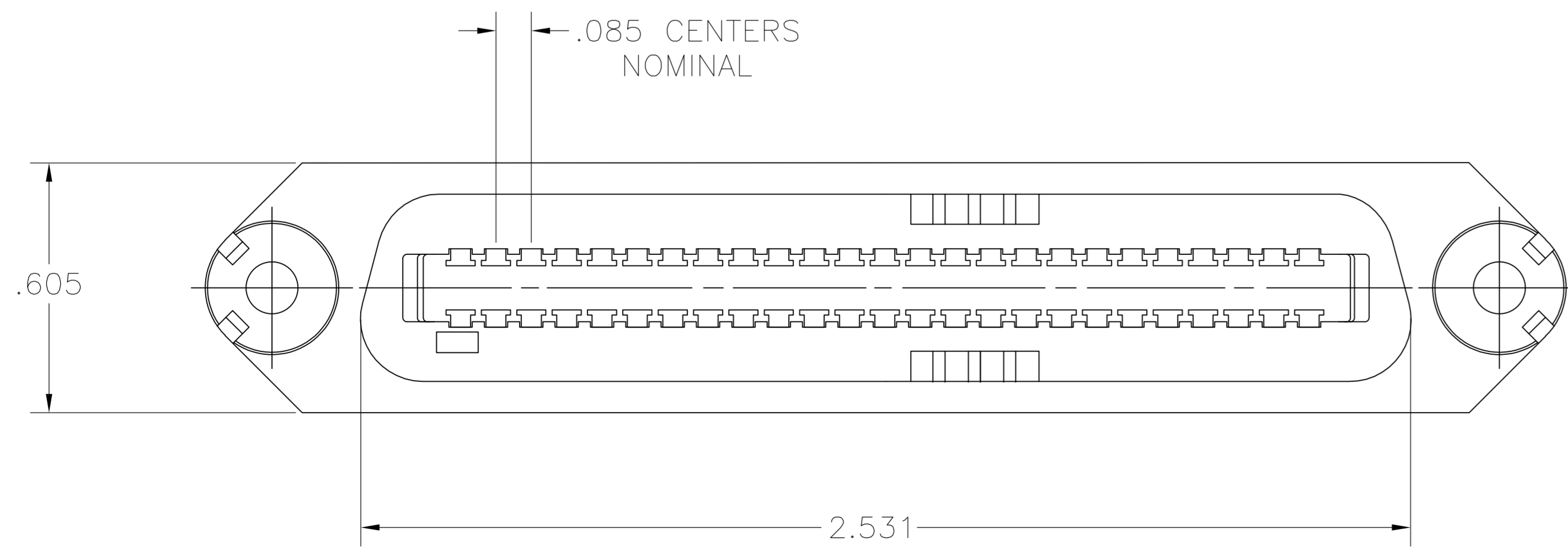
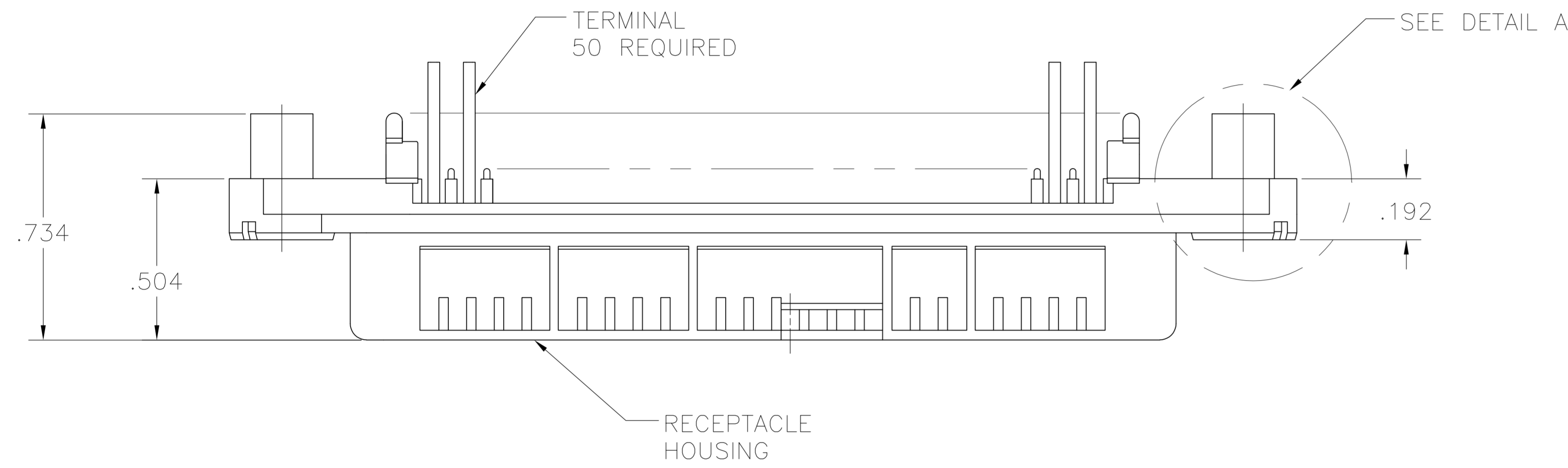
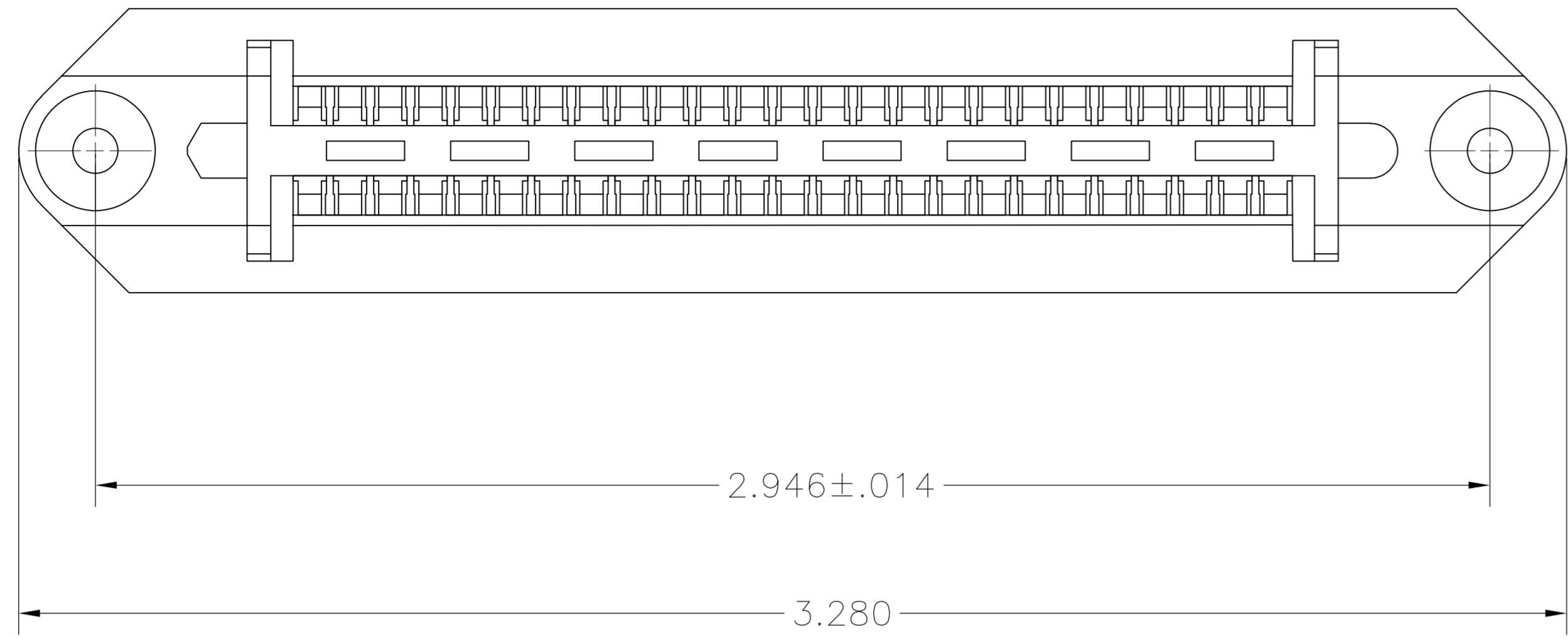
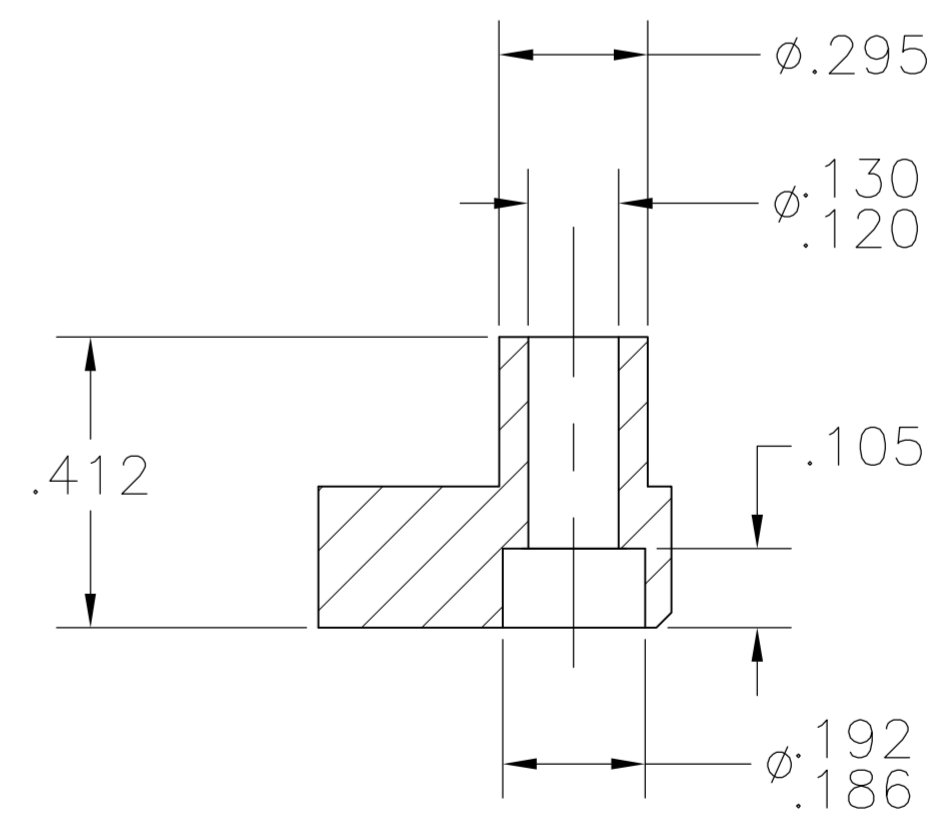
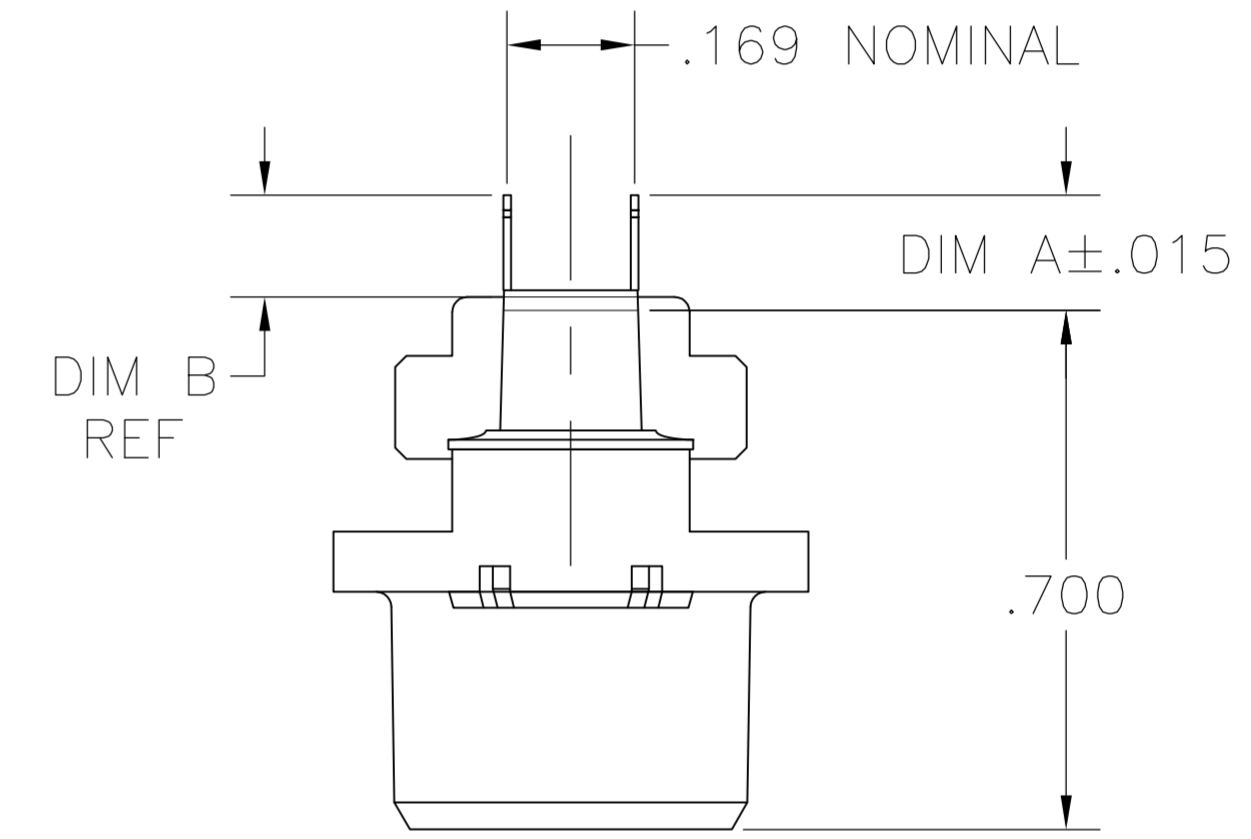


LOC		DIST		REVISIONS			
F	LTR	DESCRIPTION	DATE	DWN	APVD		
R		REVISED PER ECO-08-007327	18APR08	BM	WM		



1. THE CONTACT SURFACES OF THE TERMINALS ARE COATED WITH LUBRICANT.
2. MATERIAL: HOUSING - POLYESTER, BLACK. TERMINAL - PHOS BRONZE PLATED WITH EITHER .000030 MINIMUM GOLD PLATE OR GOLD FLASH OVER PALLADIUM NICKEL PLATE, .000030 MIN TOTAL ON MATING SURFACE. .000120 MINIMUM TIN-LEAD PLATE ON TAILS OVER .000050 MINIMUM NICKEL UNDERPLATE OVER ENTIRE TERMINAL.
3. ALL DIMENSIONS SHOWN ARE MAXIMUM UNLESS OTHERWISE SPECIFIED.



DETAIL A

.180	.200	552118-1
DIM B	DIM A	PART NO

THIS DRAWING IS A CONTROLLED DOCUMENT.		DWN Z. REAM 9/MAR/07	Tyco Electronics Corporation Tyco Electronics Corporation Harrisburg, PA 17105-3608	
DIMENSIONS: INCHES	TOLERANCES UNLESS OTHERWISE SPECIFIED:	CHK W. MILLHIMES 9/MAR/07	NAME RECEPTACLE ASSEMBLY, 50 POSN, VERTICAL MTG, CHAMP-LOK	
0 PLC ± -	1 PLC ± -	APVD W. MILLHIMES 9/MAR/07	PRODUCT SPEC	
2 PLC ± -	3 PLC ± -	APPLICATION SPEC	SIZE A1	
4 PLC ± -	ANGLES ± -	WEIGHT	CAGE CODE 00779	
MATERIAL	FINISH	RESTRICTED TO	DRAWING NO 552118	
		CUSTOMER DRAWING	SCALE 4:1 SHEET 1 of 1 REV R	