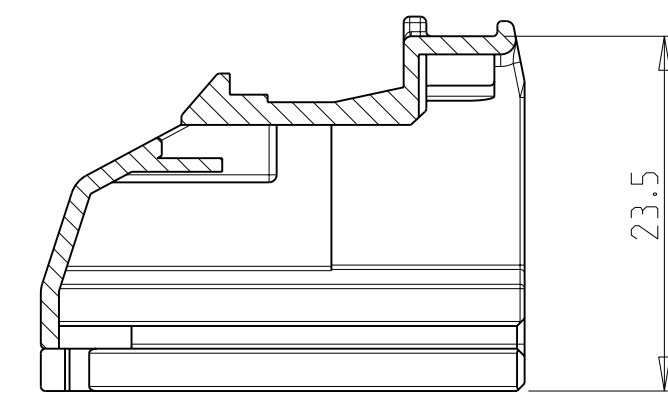
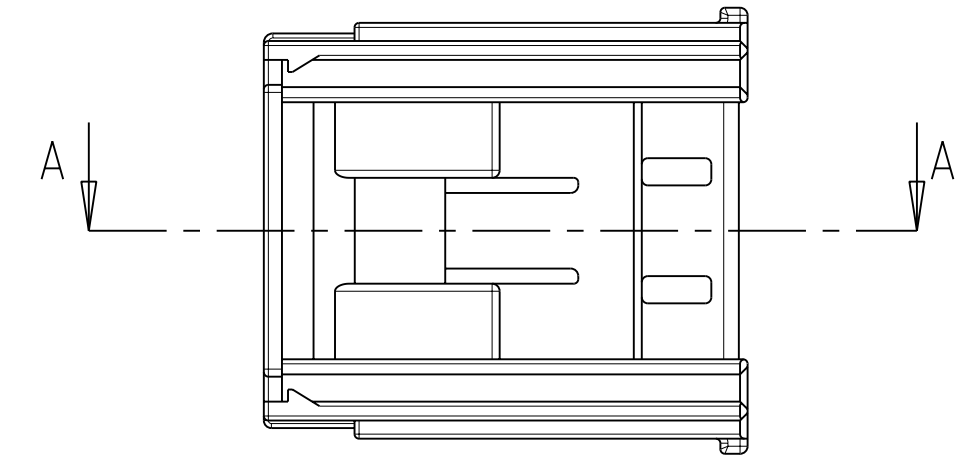
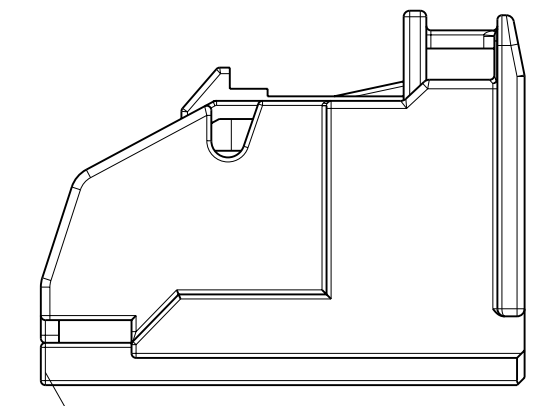
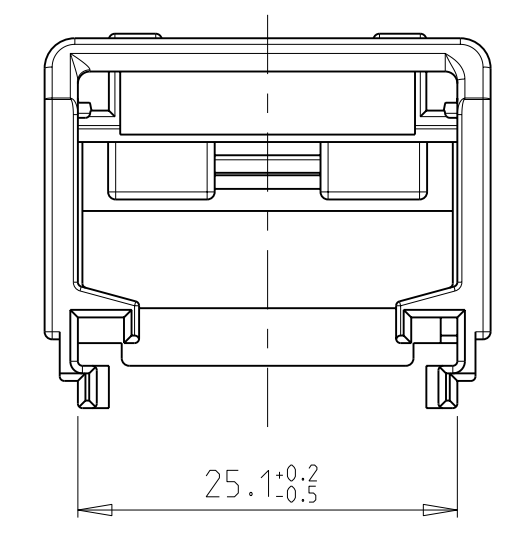
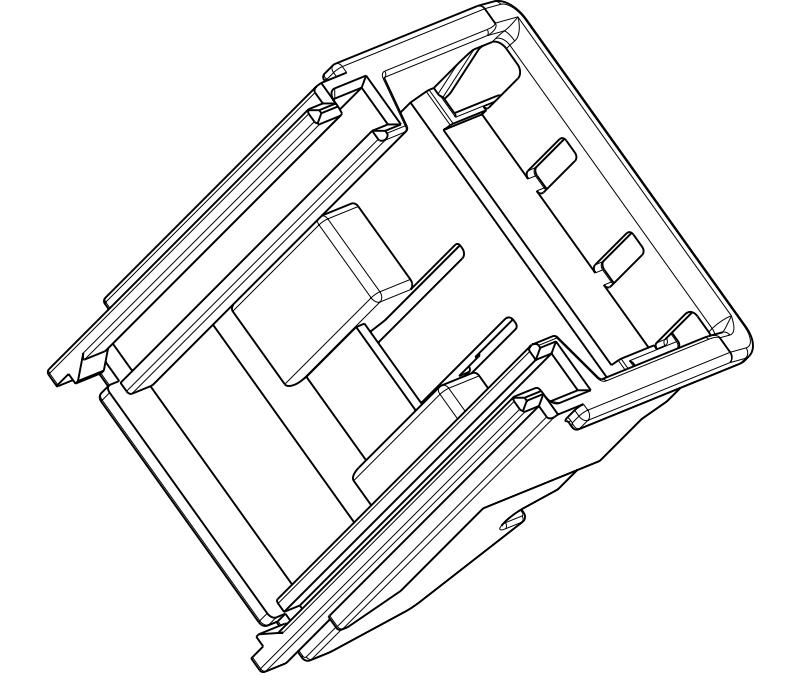
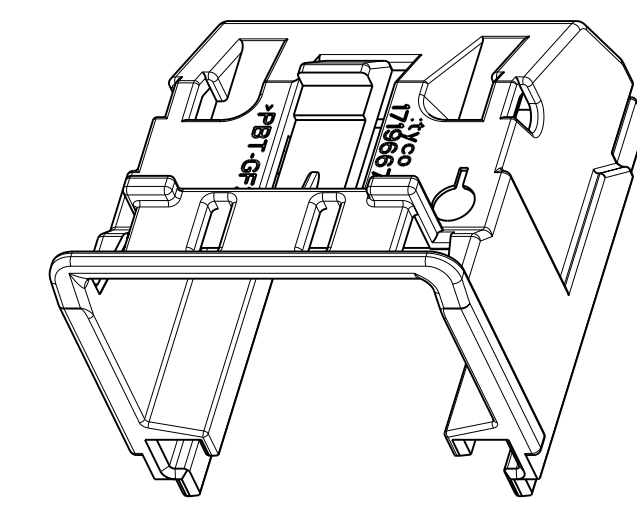


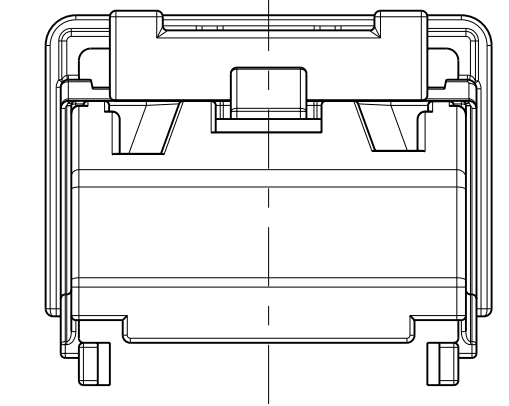
LOC	DIST	REVISIONS					
A1	-	P	LTR	DESCRIPTION	DATE	DWN	APVD
		A		NEW PART. NEW DRAWING	26MAY2006	MK	KR
B		E-06-028097	04JAN2007	MK	KR		
B1		ECR-07-011418	15MAY2007	GP	GM		
B2		E-07-028159	22NOV2007	MK	GM		



A-A



MEASURE POINT FOR DIMENSION 25.1

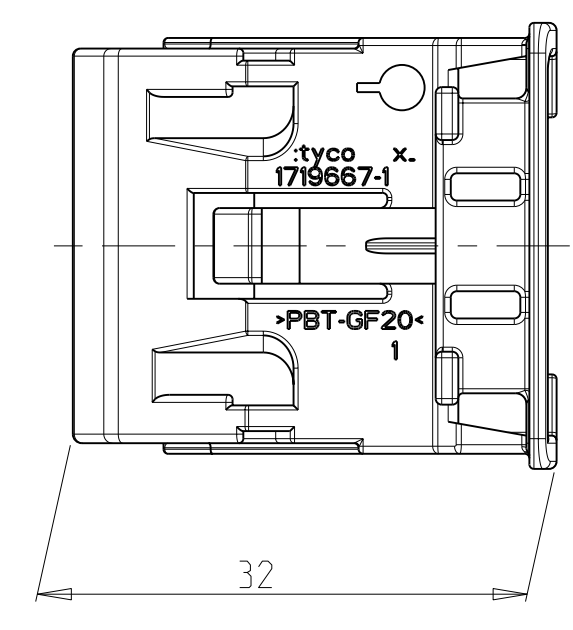


NOTES:
Bemerkungen:

1 PACKAGING: LOOSE PIECE IN CARDBOARD BOX
Verpackung: Teile lose beige stellt in Karton

2 MATED WITH:
verwendet mit:

- REC. HSG. 32 POS. 0-1719675
- REC. HSG. 32 POS. 0-1719682
- REC. HSG. 32 POS. 0-1418392
- REC. HSG. 32 POS. 0-1670065
- REC. HSG. 32 POS. 0-1670066



0-1719667-1	B	PBT-GF20	COVER FOR 32 POS. PCM CONNECTOR	BLACK	1
PART NO	REVISION	MATERIAL	DESCRIPTION	COLOR	ITEM NO.

DIMENSIONS: mm		TOLERANCES UNLESS OTHERWISE SPECIFIED: 0 PLC ±0.3 1 PLC ±0.3 2 PLC ±0.3 3 PLC ±0.3 4 PLC ±0.3 ANGLES ±° ±1.5° FINISH -		DWN: M. Kressmann 22MAY2006 CHK: K.ROTH 26MAY2006 APVD: -		Tyco Electronics Tyco Electronics AMP GmbH D - 64625 Bensheim	
PRODUCT SPEC APPLICATION SPEC		NAME COVER FOR 32 POS. Connector COVER MQS CB.90		SIZE: CAGE CODE DRAWING NO. RESTRICTED TO A1 00779 C=1719667 -		WEIGHT: - CUSTOMER DRAWING SCALE: 2:1 SHEET 1 OF 1 REV: B2	