

NOTES: UNLESS OTHERWISE SPECIFIED

1. CONSTRUCTION:

HOUSING & PLUNGER: MOLDED NYLON TYPE 6,6. AVAILABLE IN TEN COLORS.  
 CONTACT BLADE: BERYLLIUM COPPER PER QQ-C-533. GOLD PLATED PER MIL-G-45204,4001 0.00001" [0.000254] THICK MINIMUM.  
 SPRING: STAINLESS STEEL TYPE 302.

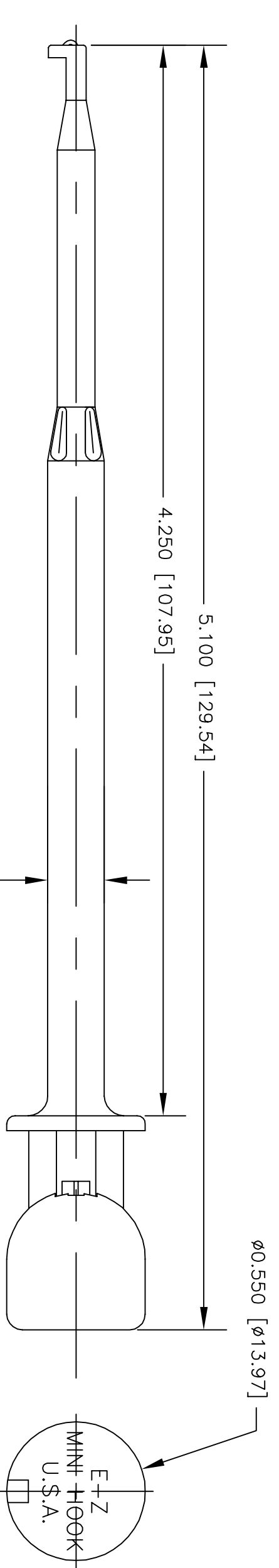
2. PERFORMANCE:

MAXIMUM CURRENT: 6.9 AMPS WITH 76° TEMPERATURE RISE.  
 MAXIMUM VOLTAGE: 2.0 KV  
 MAXIMUM TEMPERATURE: 175°F (79°C)

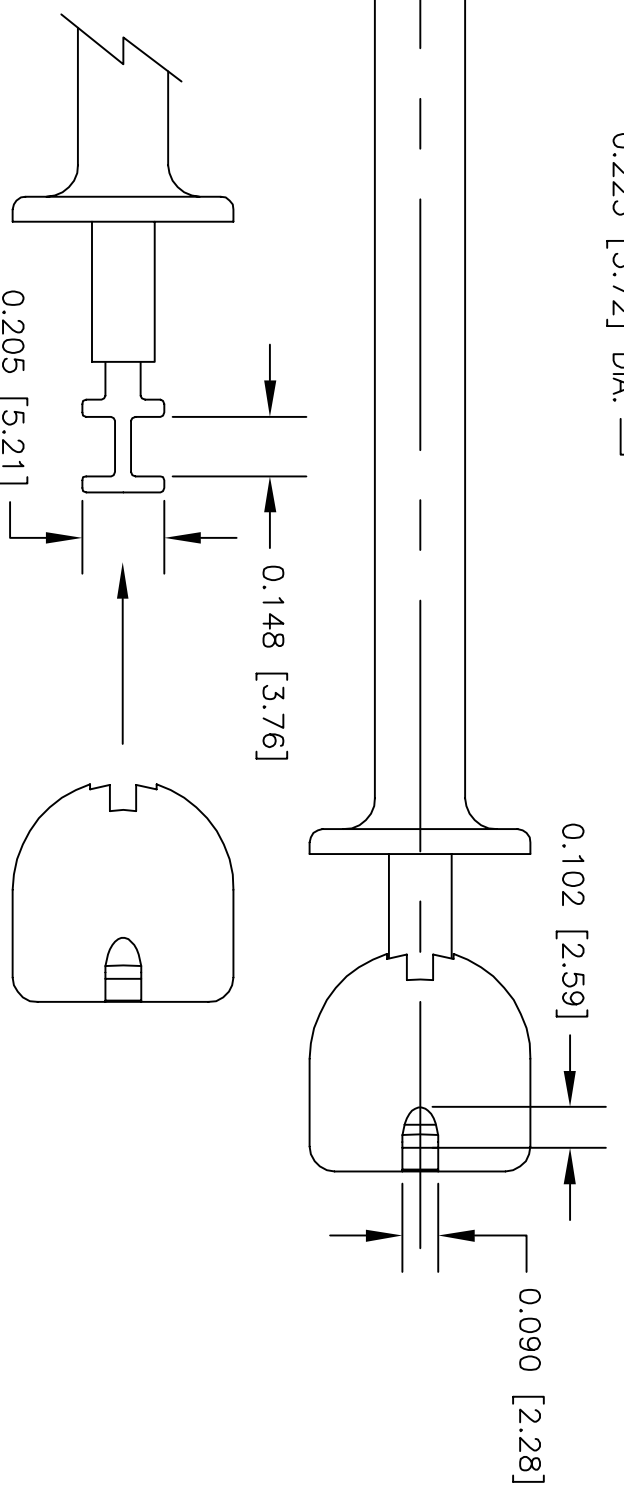
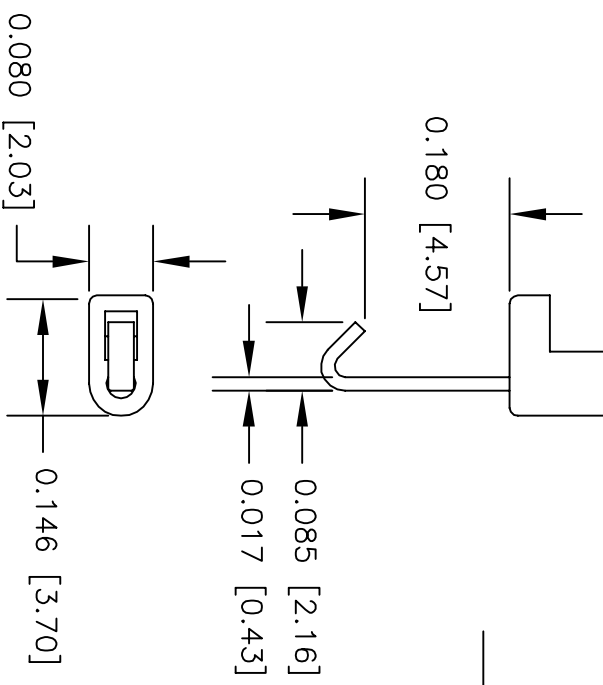
3. FEATURES:

HOOK FITS COMPONENTS UP TO  $\phi 0.040"$  [1.01]  
 FIELD SERVICEABLE.

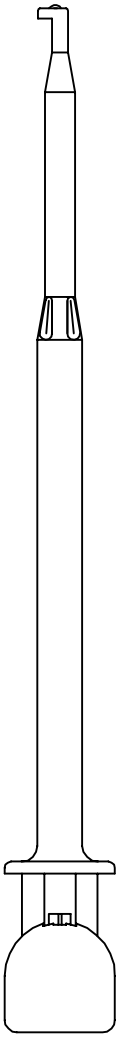
REVISIONS		DATE	APPROVED
LTR	DESCRIPTION		



HOOK DETAIL  
SCALE: 4:1



WIRE ATTACHMENT



ACTUAL SIZE

		UNLESS OTHERWISE SPECIFIED DIMENSIONS ARE IN INCHES TOLERANCES ARE: FRACTIONS DECIMALS ANGLES		CONTRACT NO.		DESCRIPTION	
		.XX ± .XXX ±		APPROVALS		E-Z-MINI-HOOK TEST CONNECTOR	
		±		DRAWN R.L.		DATE 6/09	
		MATERIAL SEE NOTE.		APPROVED BY		SIZE CODE IDENT NO. DRAWING NO.	
		FINISH SEE NOTE.				B 08505 XL1	
		NEXT ASSY USED ON				SCALE 2:1	
		APPLICATION		DO NOT SCALE DRAWING		SHEET 1 OF 1	
						REV.	

**EZ-HOOK** DIVISION OF TEKTEST INC. ARCADIA, CA 91006 U.S.A.