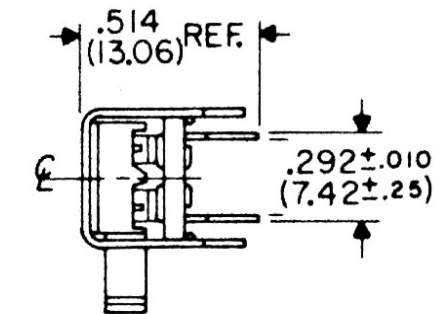
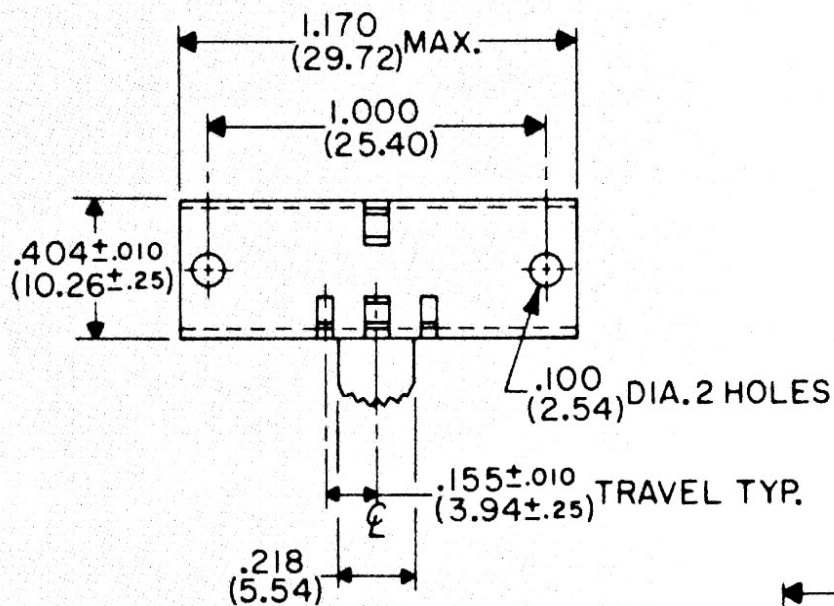


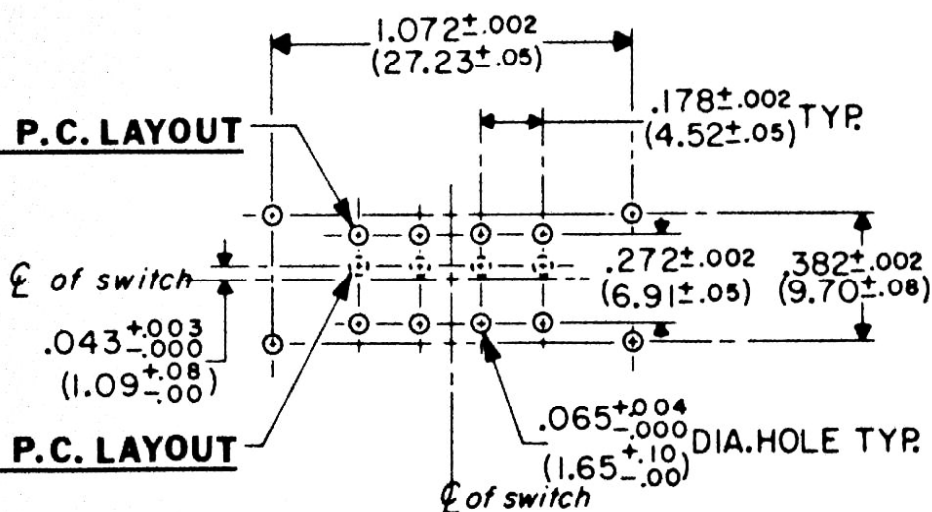
# GPI-153 Single Pole 3 Pos (with detent)

# GPI-154 Double Pole 3 Pos (with detent)

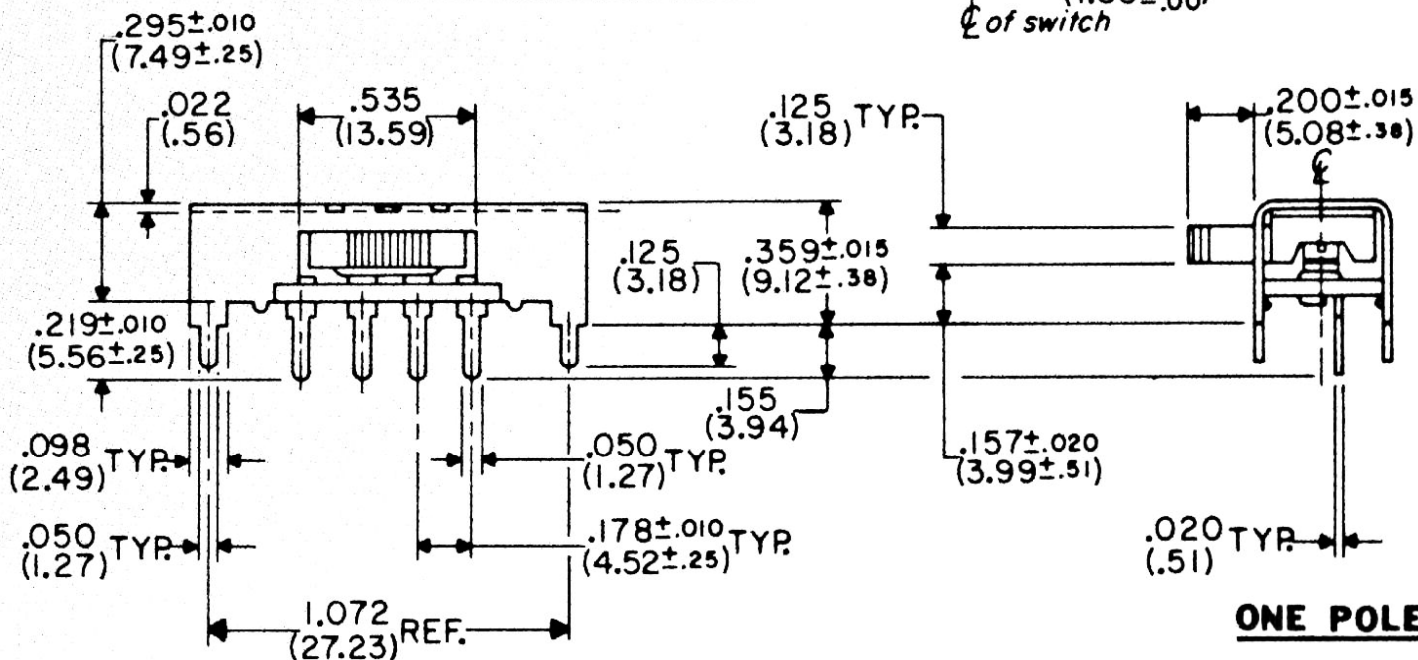


**TWO POLE**

**TWO POLE P.C. LAYOUT**



**ONE POLE P.C. LAYOUT**



**ONE POLE**